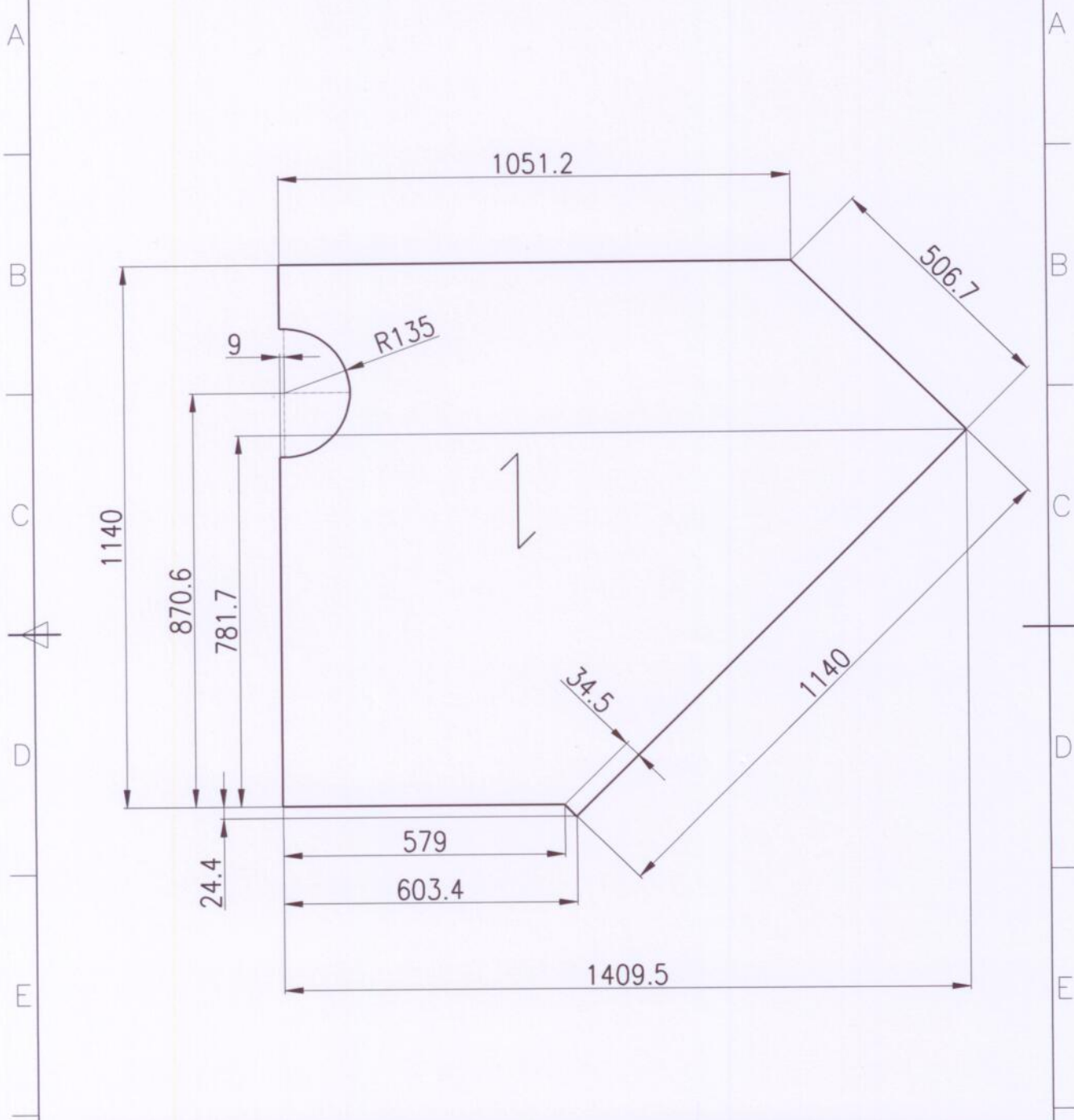
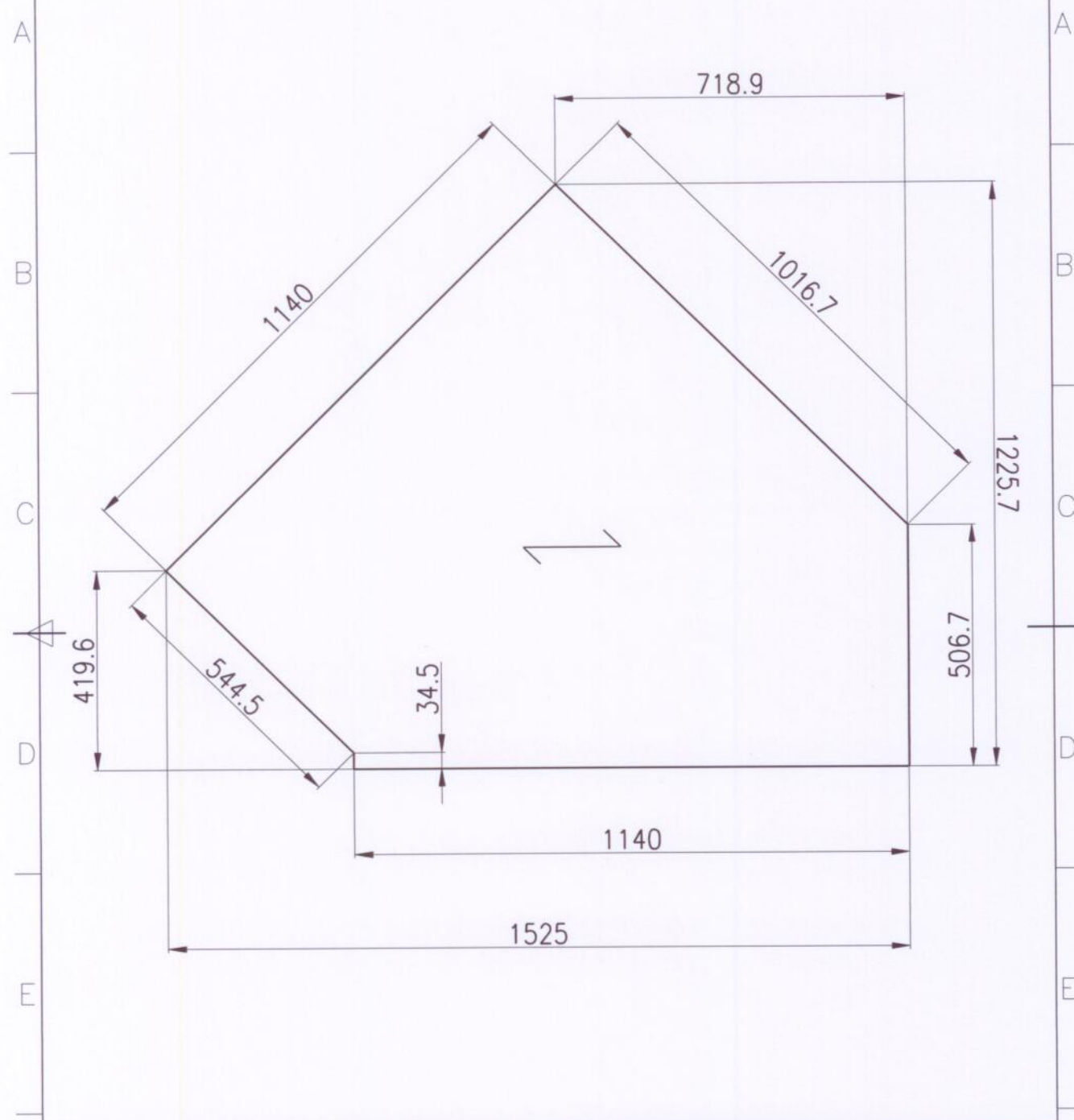


REV.	DATE	APPROVED
------	------	----------

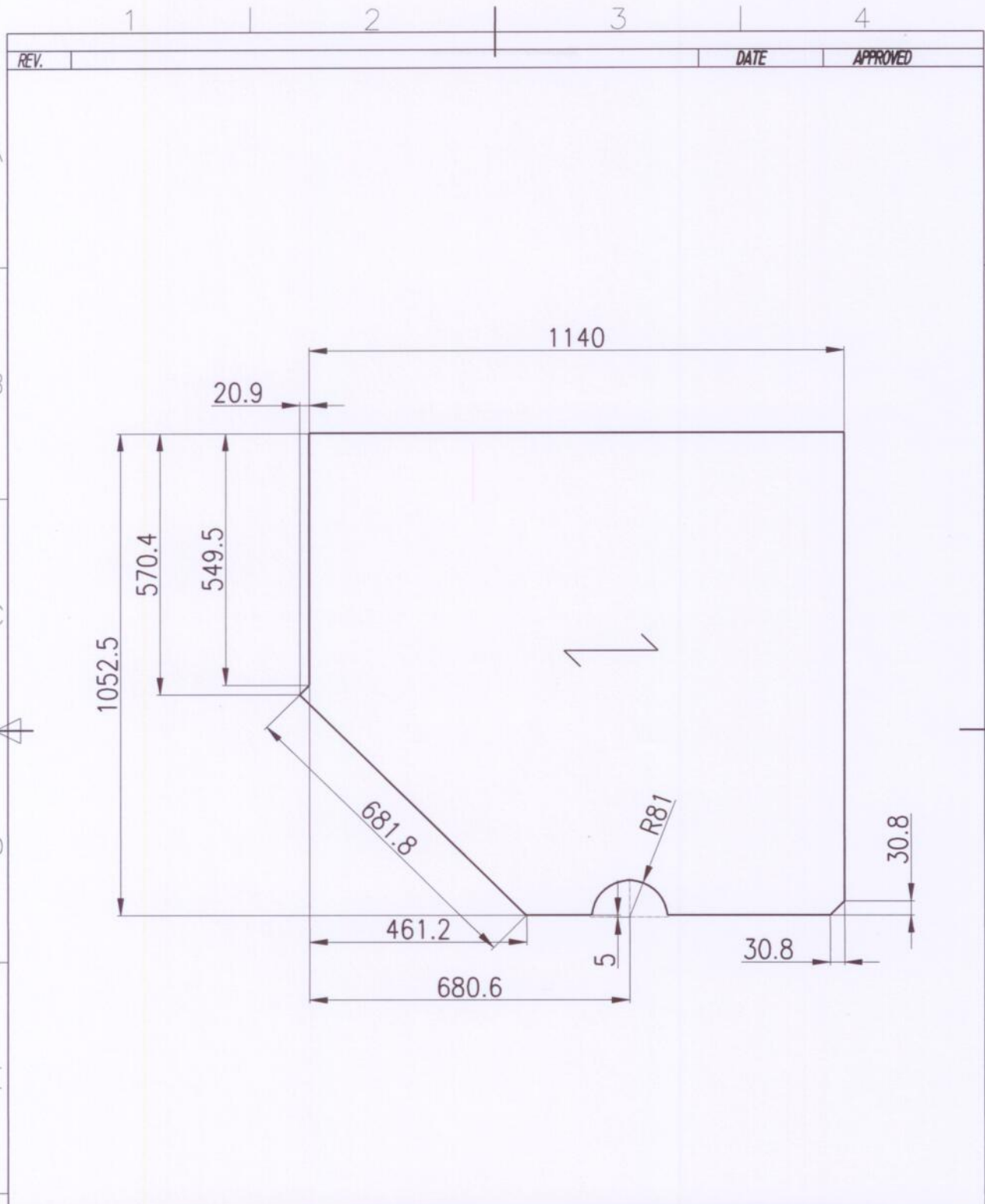



PCS/SEIT	TYPE: S 33x75/30x3 HDG	TOLERANCE:	GEOMETRIC TOLERANCE SYMBOLS ACC. ISO 1101 GENERAL TOLERANCE SYMBOLS ACC. ISO 2768-MK SURFACE ROUGHNESS SYMBOLS ACC. ISO 1302
DRW: I. Dambln	MATERIAL:	WELDING:	WELDING TOLERANCES EN 1090-2 APPX. D CLASS I WELDING CONNECTIONS ISO 2553 QUALITY LEVEL WELD EVS-EN ISO 5817 - C
CHK: RD	FINISH: acc. to specification		
APP:	Finn-pewemka		
SHEET: 1 of 1	SIZE: A4		
SCALE	WEIGHT: KG	METRIC:MM	DRAWING NUMBER: 17320-000702TP00KM008.01
Enefit Solutions AS			REV. 0

REV.	DATE	APPROVED
------	------	----------

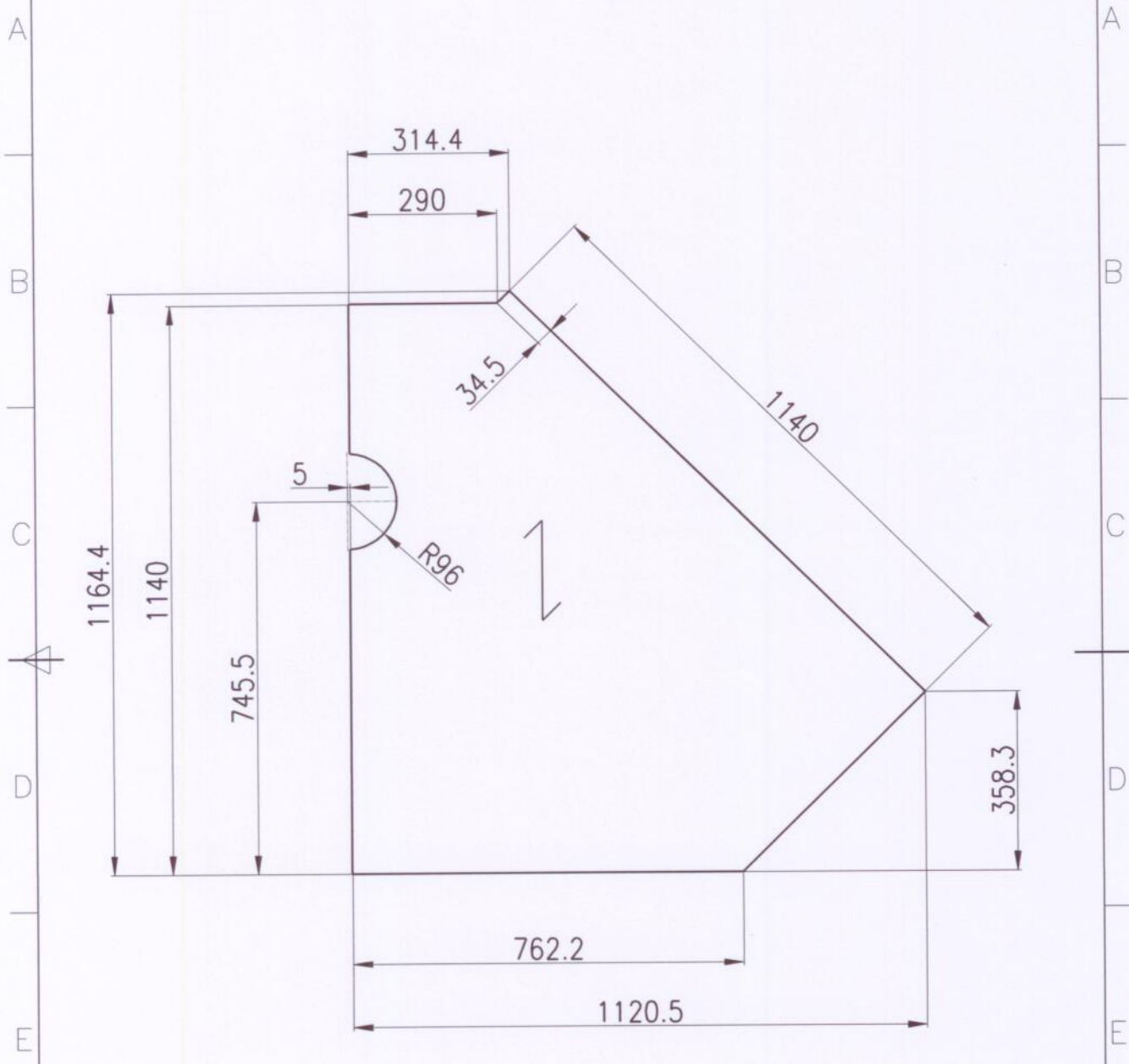


PCS/SEIT		Type: S 33x75/30x3 HDG	TOLERANCE: GEOMETRIC TOLERANCE SYMBOLS ACC. ISO 1101 GENERAL TOLERANCE SYMBOLS ACC. ISO 2768-MK SURFACE ROUGHNESS SYMBOLS ACC. ISO 1302
DRW: I. Dambin		MATERIAL:	
CHK: RD		FINISH: acc. to specification	WELDING: WELDING TOLERANCES EN 1090-2 APPX. D CLASS I WELDING CONNECTIONS ISO 2553 QUALITY LEVEL WELD EN-EN ISO 5817 - C
APP:		Finn-pewemka	
SHEET: 1 of 1	SIZE: A4		
SCALE	WEIGHT: KG	METRIC: MM	DRAWING NUMBER: 17320-000702TP00KM008.02
Enefit Solutions AS		REV. 0	



PCS/SEIT _____		TYPE: S 33x75/30x3 HDG		TOLERANCE: GEOMETRIC TOLERANCE SYMBOLS ACC. ISO 1101 GENERAL TOLERANCE SYMBOLS ACC. ISO 2768-MK SURFACE ROUGHNESS SYMBOLS ACC. ISO 1302
DRW: I. Dambin		MATERIAL:		
CHK: RD		FINISH: acc. to specification		WELDING: WELDING TOLERANCES EN 1090-2 APPX. D CLASS I WELDING CONNECTIONS ISO 2553 QUALITY LEVEL WELD EVS-EN ISO 5817 - C
APP:		Finn-pewemka		
SHEET: 1 of 1	SIZE: A4	 Enefit Solutions AS		DRAWING NUMBER: 17320-000702TP00KM008.03
SCALE	WEIGHT: KG			

REV.					DATE	APPROVED
------	--	--	--	--	------	----------

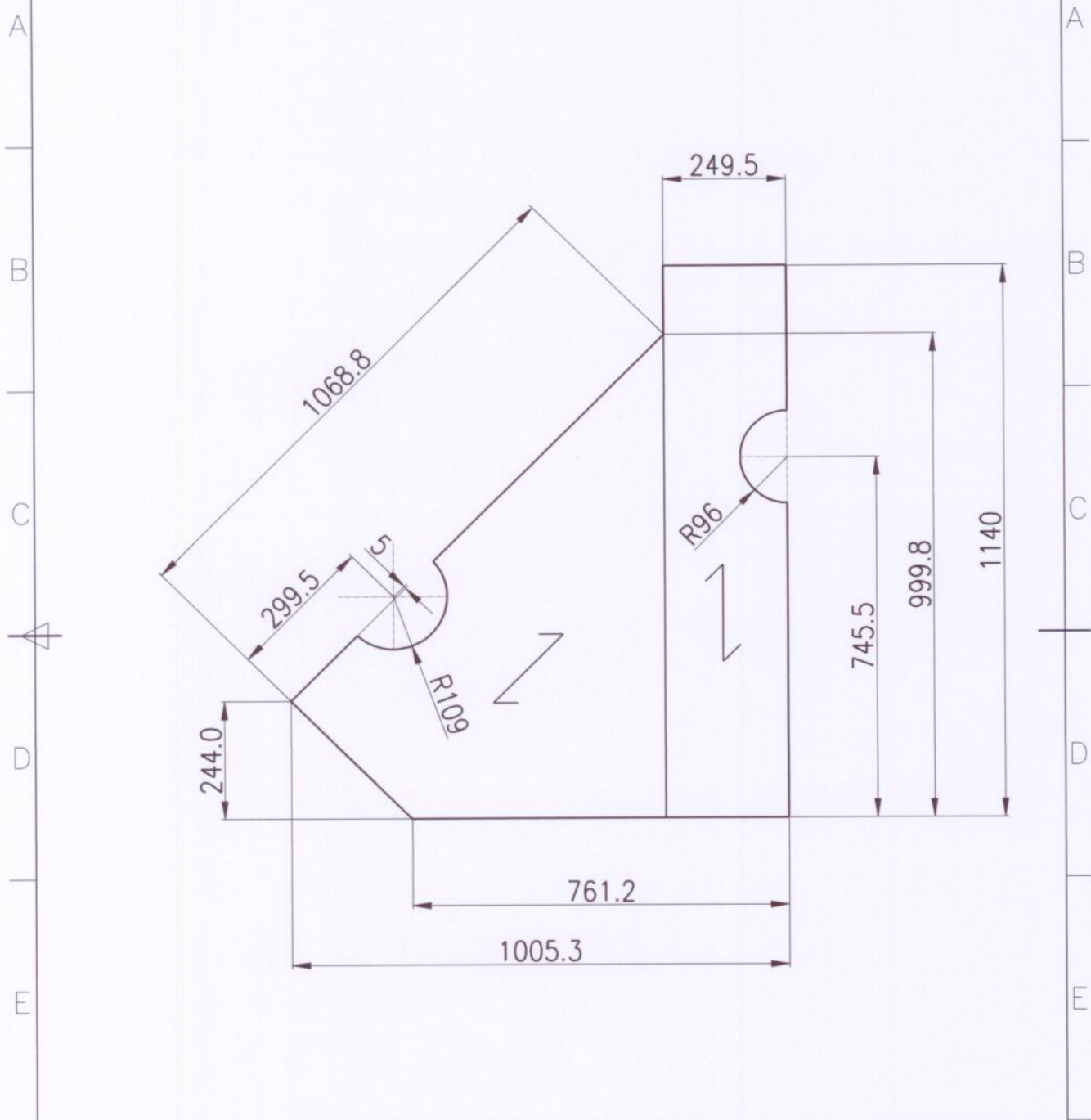


PCS/SEIT		TYPE: S 33x75/30x3 HDG		TOLERANCE: GEOMETRIC TOLERANCE SYMBOLS ACC. ISO 1101 GENERAL TOLERANCE SYMBOLS ACC. ISO 2768-MK SURFACE ROUGHNESS SYMBOLS ACC. ISO 1302	
DRW: I. Dambin		MATERIAL:		WELDING: WELDING TOLERANCES EN 1090-2 APPX. D CLASS I WELDING CONNECTIONS ISO 2553 QUALITY LEVEL WELD EVS-EN ISO 5817 - C	
CHK: RD		FINISH: acc. to specification			
APP:		Finn-pewemka			
SHEET: 1 of 1		SIZE: A4		DRAWING NUMBER: 17320-000702TP00KM008.05	
SCALE	WEIGHT: KG	METRIC:MM	Enefit Solutions AS		REV. 0

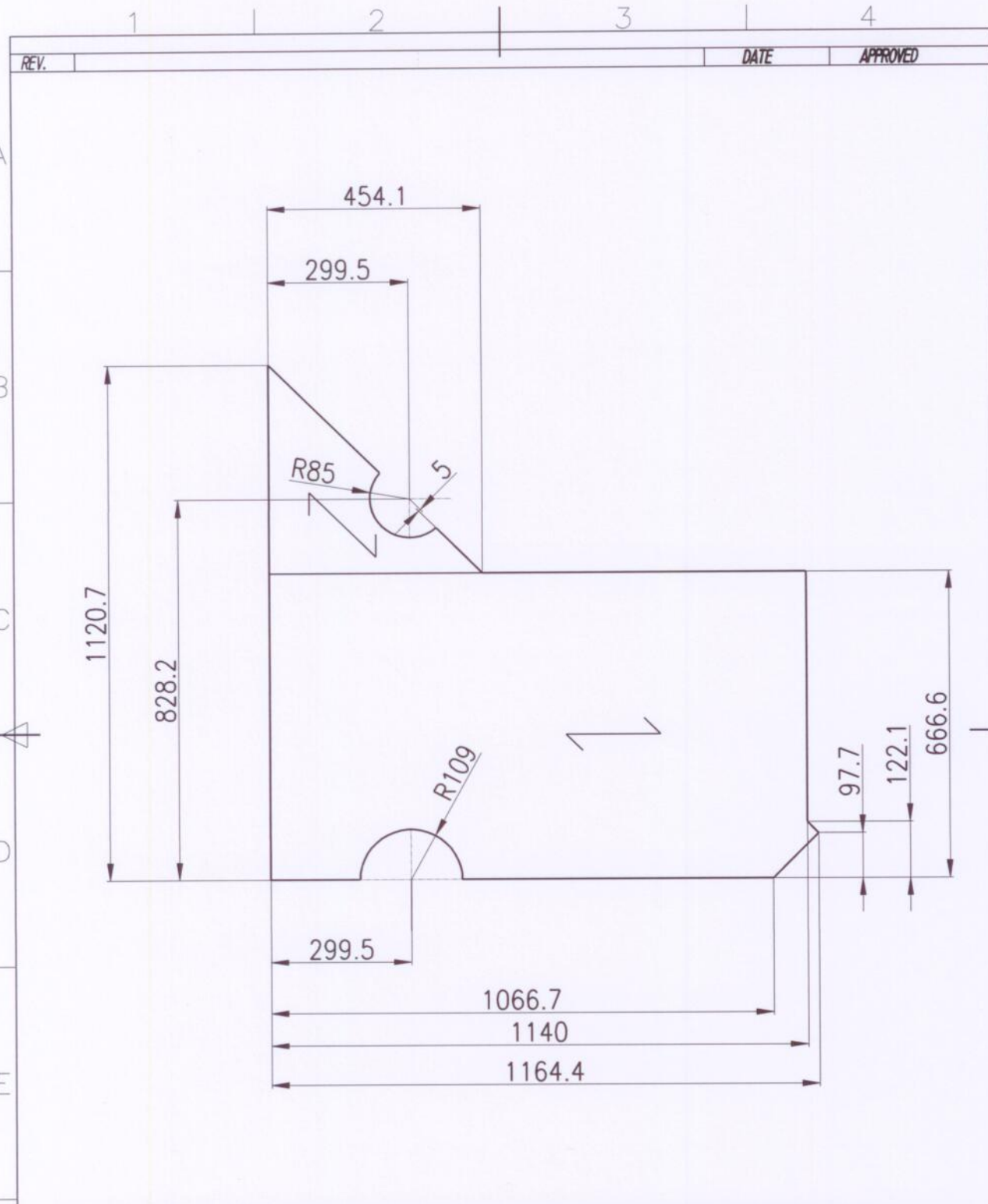


Enefit Solutions AS

REV.				DATE	APPROVED
------	--	--	--	------	----------

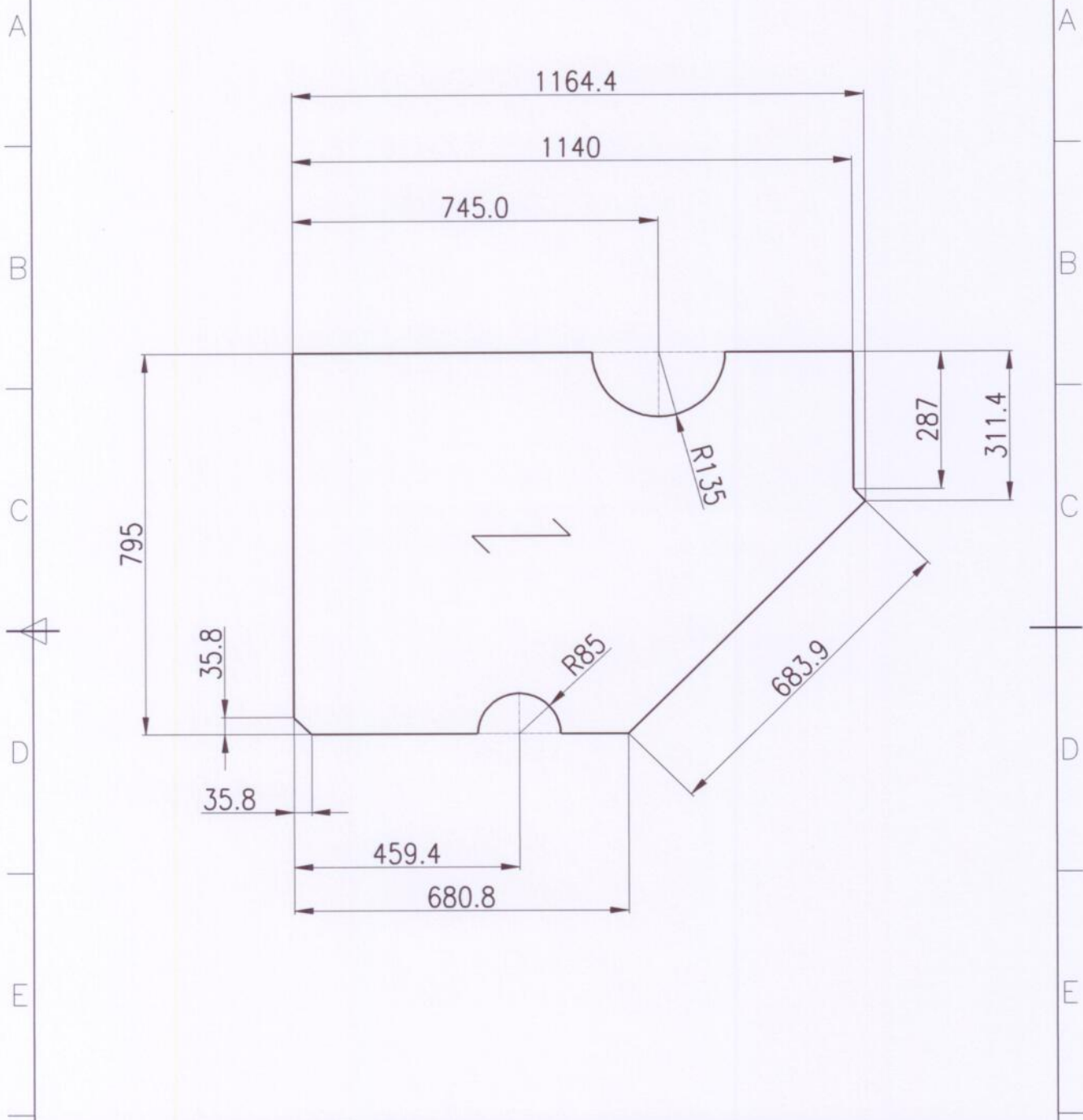


PCS/SEIT		Type: S 33x75/30x3 HDG		TOLERANCE: GEOMETRIC TOLERANCE SYMBOLS ACC. ISO 1101 GENERAL TOLERANCE SYMBOLS ACC. ISO 2768-MK SURFACE ROUGHNESS SYMBOLS ACC. ISO 1302	
DRW: I. Dambin		MATERIAL:		WELDING: WELDING TOLERANCES EN 1090-2 APPX. D CLASS I WELDING CONNECTIONS ISO 2553 QUALITY LEVEL WELD EVS-EN ISO 5817 - C	
CHK: RD		FINISH: acc. to specification			
APP:		Finn-pewemka			
SHEET: 1 of 1		SIZE: A4			
SCALE	WEIGHT: KG	METRIC:MM	Enefit Solutions AS		DRAWING NUMBER: 17320-000702TP00KM008.06
			Enefit		REV. 0

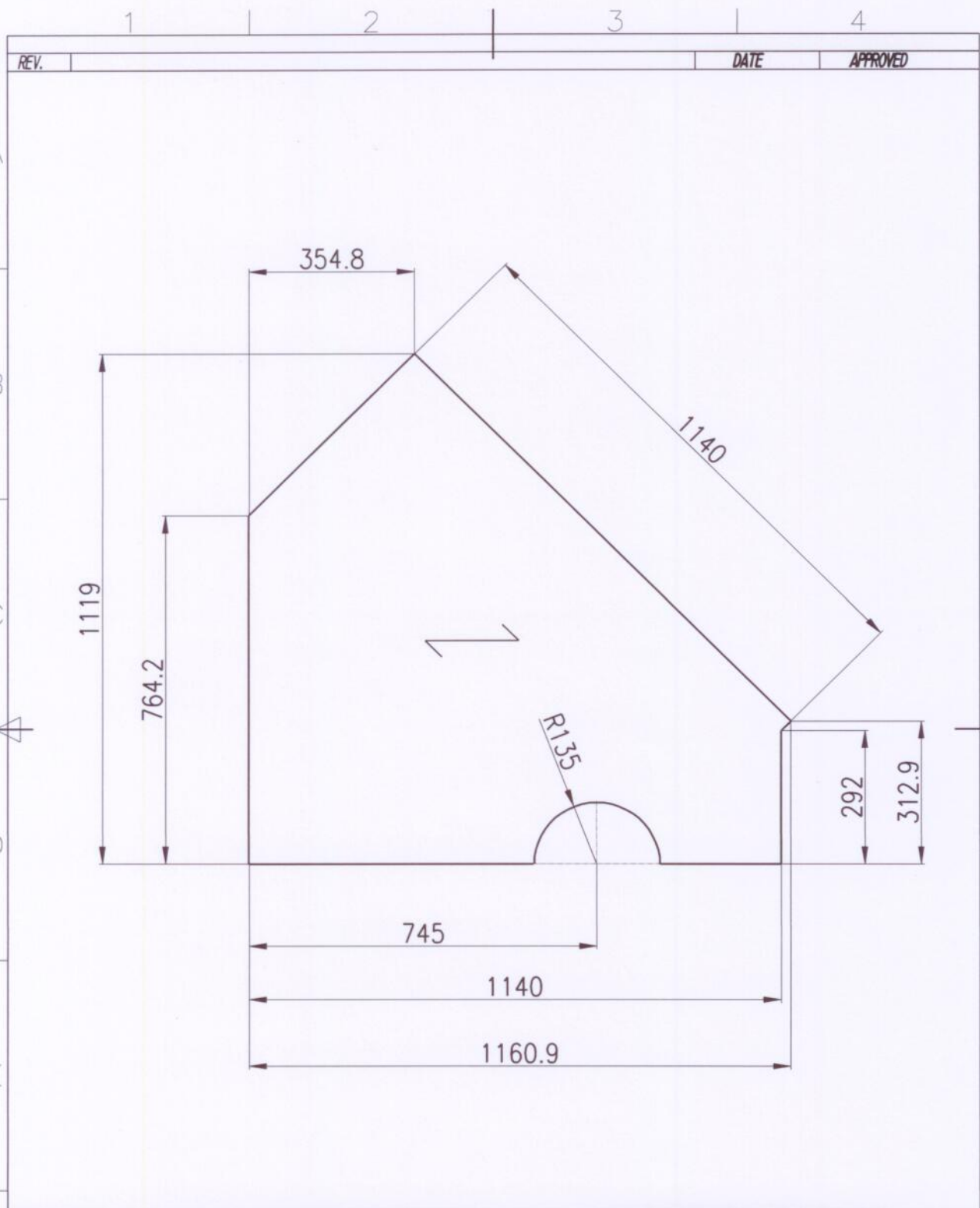



PCS/SEIT _____		Type: S 33x75/30x3 HDG	TOLERANCE: GEOMETRIC TOLERANCE SYMBOLS ACC. ISO 1101 GENERAL TOLERANCE SYMBOLS ACC. ISO 2768-MK SURFACE ROUGHNESS SYMBOLS ACC. ISO 1302
DRW: I. Dambin		MATERIAL:	
CHK: RD		FINISH: acc. to specification	WELDING: WELDING TOLERANCES EN 1090-2 APPX. D CLASS I WELDING CONNECTIONS ISO 2553 QUALITY LEVEL WELD EVS-EN ISO 5817 - C
APP:		Finn-pewemka	
SHEET: 1 of 1	SIZE: A4		
SCALE	WEIGHT: KG	METRIC:MM	DRAWING NUMBER: 17320-000702TP00KM008.07
		Enefit Solutions AS	REV. 0

REV.				DATE	APPROVED
------	--	--	--	------	----------

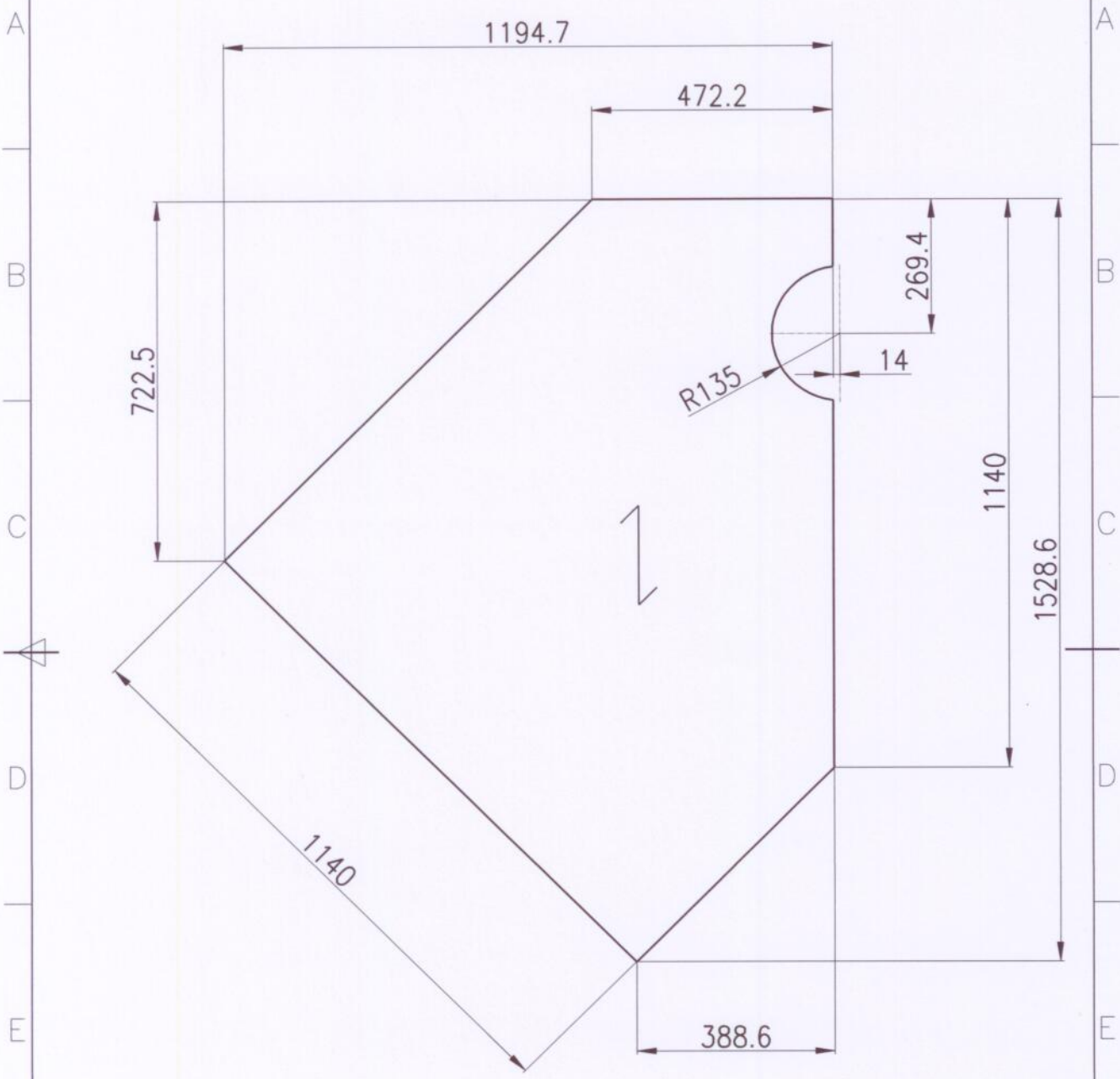



PCS/SEIT		TYPE: S 33x75/30x3 HDG		TOLERANCE: GEOMETRIC TOLERANCE SYMBOLS ACC. ISO 1101 GENERAL TOLERANCE SYMBOLS ACC. ISO 2768-MK SURFACE ROUGHNESS SYMBOLS ACC. ISO 1302	
DRW: I. Dambin		MATERIAL:		WELDING: WELDING TOLERANCES EN 1090-2 APPL. D CLASS I WELDING CONNECTIONS ISO 2553 QUALITY LEVEL WELD EVS-EN ISO 5817 - C	
CHK: RD		FINISH: acc. to specification			
APP:		Finn-pewemka			
SHEET: 1 of 1		SIZE: A4			
SCALE	WEIGHT: KG	METRIC:MM	 Enefit Solutions AS	DRAWING NUMBER: 17320-000702TP00KM008.08	
					REV. 0



PCS/SEIT _____		Type: S 33x75/30x3 HDG		TOLERANCE: GEOMETRIC TOLERANCE SYMBOLS ACC. ISO 1101 GENERAL TOLERANCE SYMBOLS ACC. ISO 2768-MK SURFACE ROUGHNESS SYMBOLS ACC. ISO 1302
DRW: I. Dambin		MATERIAL:		
CHK: RD		FINISH: acc. to specification		WELDING: WELDING TOLERANCES EN 1090-2 APPX. D CLASS I WELDING CONNECTIONS ISO 2553 QUALITY LEVEL WELD EVS-EN ISO 5817 - C
APP:		Finn-pewemka		
SHEET: 1 of 1	SIZE: A4	 Enefit Solutions AS		DRAWING NUMBER: 17320-000702TP00KM008.09
SCALE	WEIGHT: KG			

REV.	DATE	APPROVED
------	------	----------

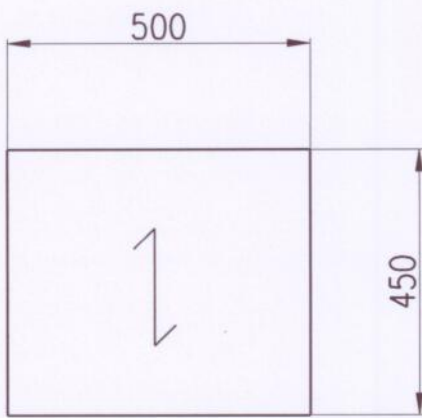



PCS/SEIT	Type: S 33x75/30x3 HDG	TOLERANCE:	GEOMETRIC TOLERANCE SYMBOLS ACC. ISO 1101 GENERAL TOLERANCE SYMBOLS ACC. ISO 2768-MK SURFACE ROUGHNESS SYMBOLS ACC. ISO 1302
DRW: I. Dambin	MATERIAL:	WELDING:	WELDING TOLERANCES EN 1090-2 APPL. D CLASS I WELDING CONNECTIONS ISO 2553 QUALITY LEVEL WELD EVS-EN ISO 5817 - C
CHK: RD	FINISH: acc. to specification		
APP:	Finn-pewemka		
SHEET: 1 of 1	SIZE: A4		
SCALE	WEIGHT: KG	METRIC:MM	
 Enefit Solutions AS		DRAWING NUMBER:	REV.
		17320-000702TP00KM008.10	0

1	2	3	4
REV.		DATE	APPROVED

A
B
C
D
E

A
B
C
D
E



PCS/SEIT _____		Type: S 33x75/30x3 HDG		TOLERANCE: GEOMETRIC TOLERANCE SYMBOLS ACC. ISO 1101 GENERAL TOLERANCE SYMBOLS ACC. ISO 2768-MK SURFACE ROUGHNESS SYMBOLS ACC. ISO 1302	
DRW: I. Dambin		MATERIAL:		WELDING: WELDING TOLERANCES EN 1090-2 APPX. D CLASS 1 WELDING CONNECTIONS ISO 2553 QUALITY LEVEL WELD EVS-EN ISO 5817 - C	
CHK: RD		FINISH: acc. to specification			
APP:		Finn-pewemka		F	
SHEET: 1 of 1		SIZE: A4			
SCALE	WEIGHT: KG	METRIC:MM	 Enefit Solutions AS		DRAWING NUMBER: 17320-000702TP00KM008.11
					REV. 0

1 4