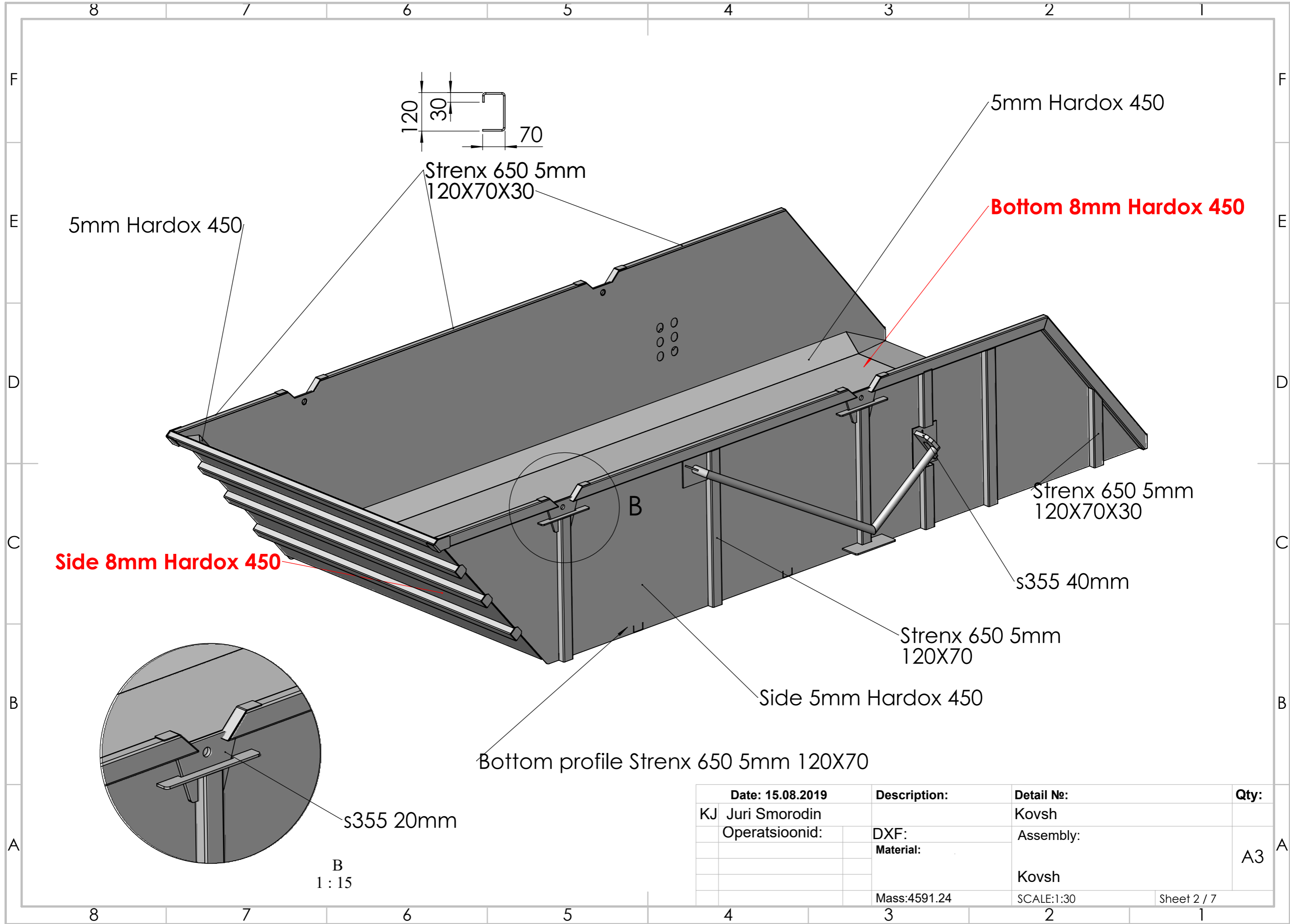


**Side 8mm Hardox 450**

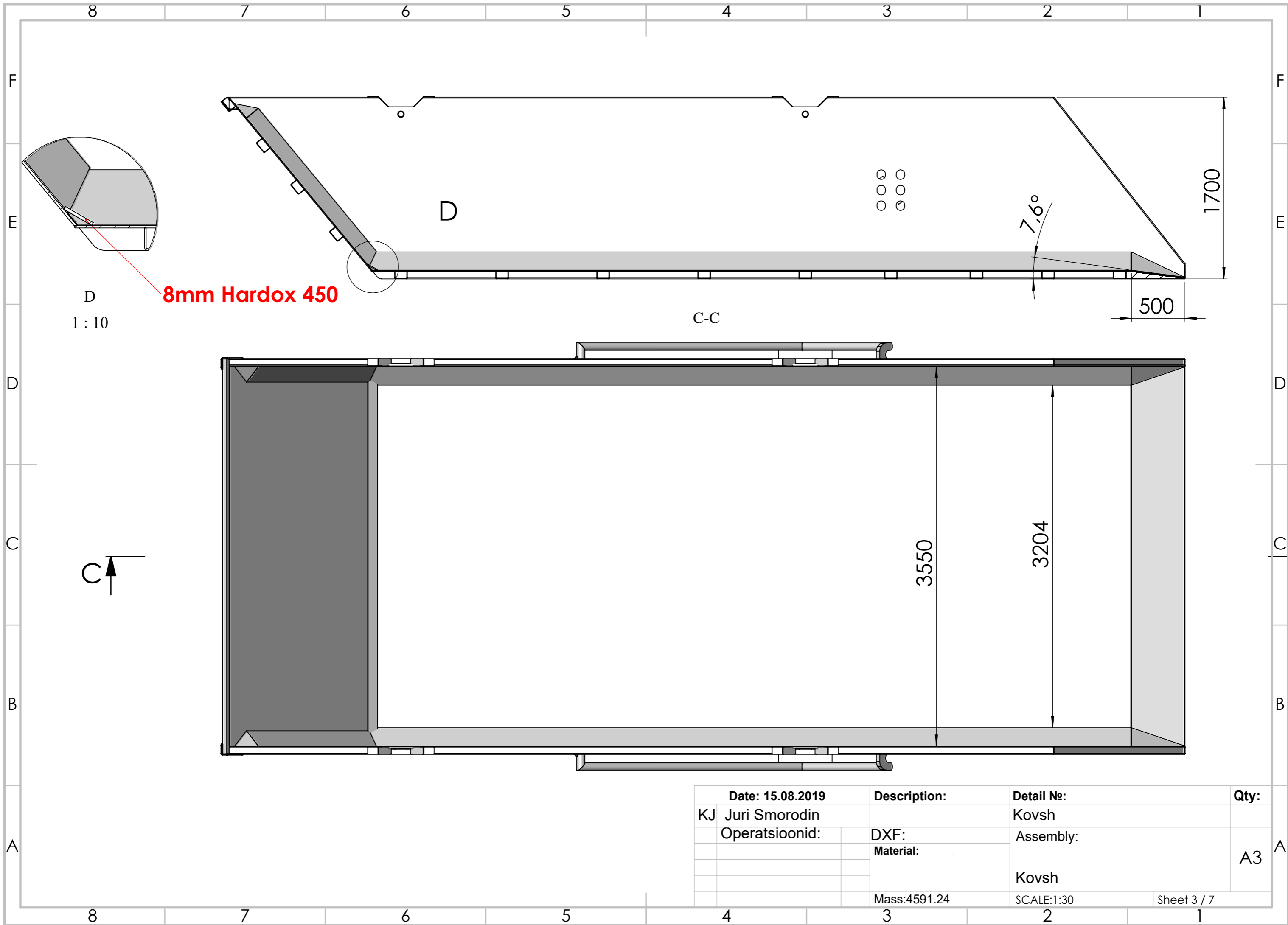
**8mm Hardox 450**

**Bottom 8mm Hardox 450**

<b>Date: 15.08.2019</b>		<b>Description:</b>	<b>Detail №:</b>	<b>Qty:</b>
KJ	Juri Smorodin		Kovsh	
	Operatsioonid:	<b>DXF:</b>	Assembly:	
		<b>Material:</b>		A3
			Kovsh	
		Mass:4591.24	SCALE:1:40	Sheet 1 / 7



Date: 15.08.2019		Description:	Detail No:	Qty:
KJ	Juri Smorodin		Kovsh	
	Operatsioonid:	DXF:	Assembly:	
		Material:		A3
		Mass:4591.24	SCALE:1:30	Sheet 2 / 7



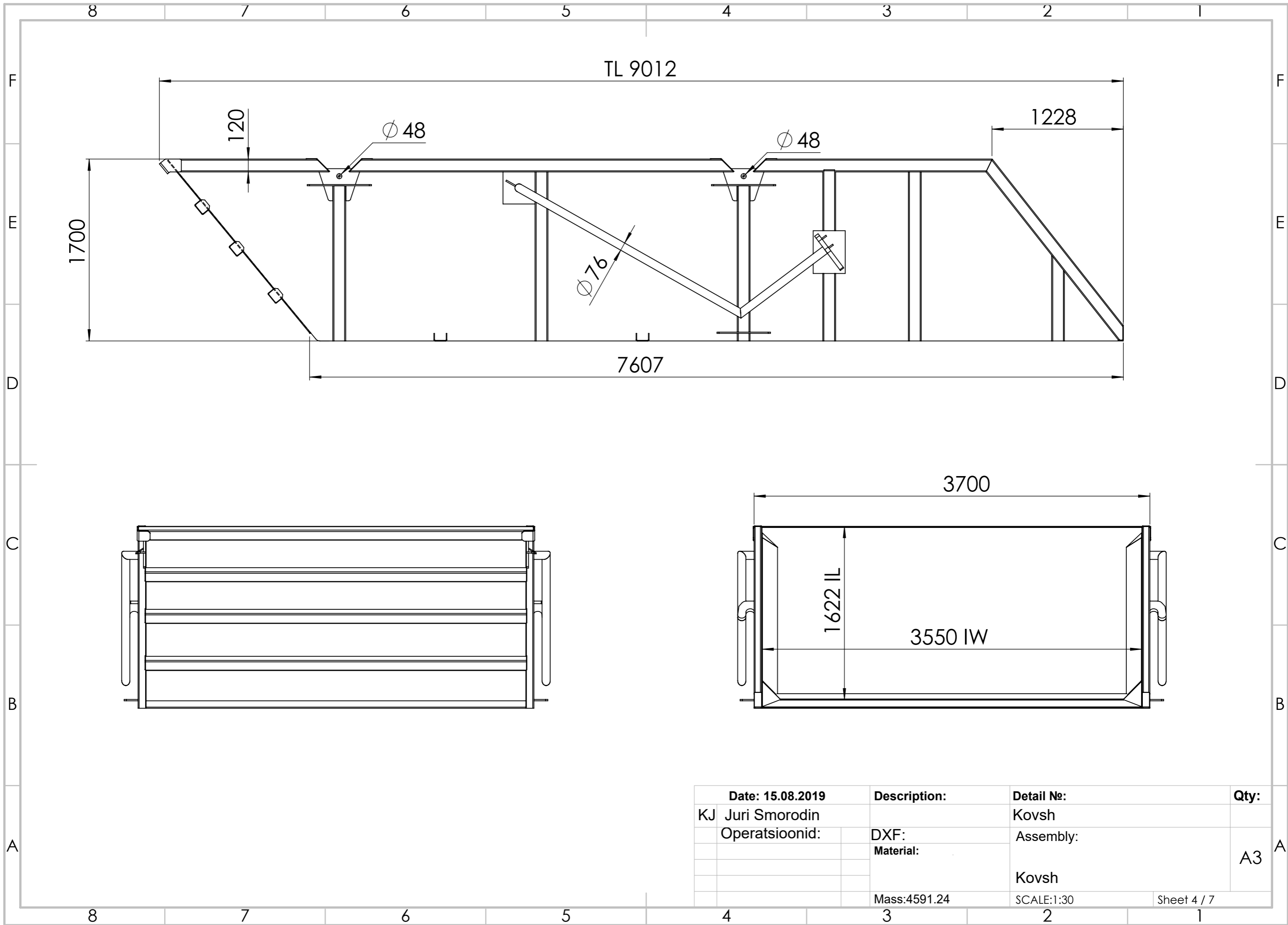
**8mm Hardox 450**

D  
1:10

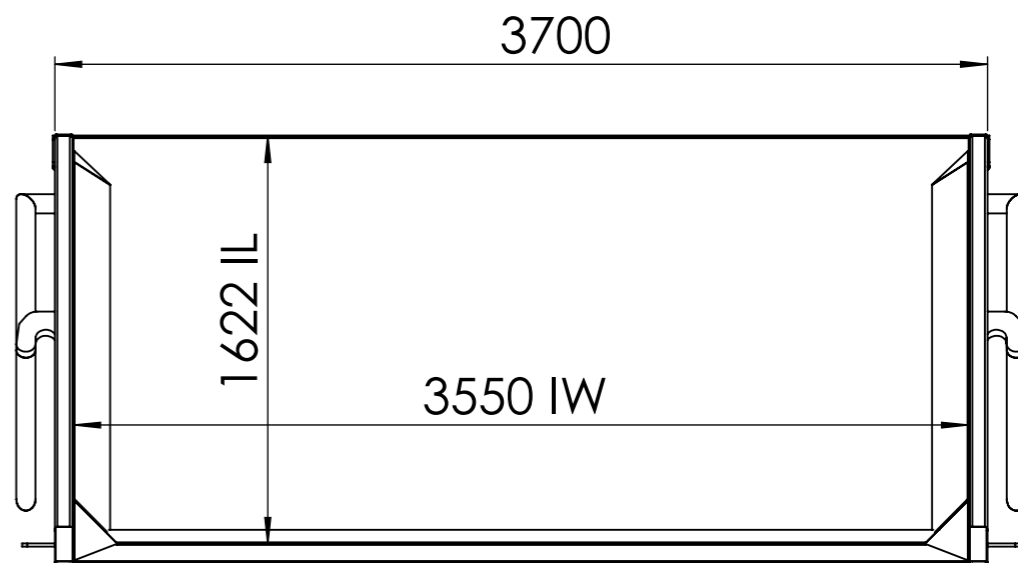
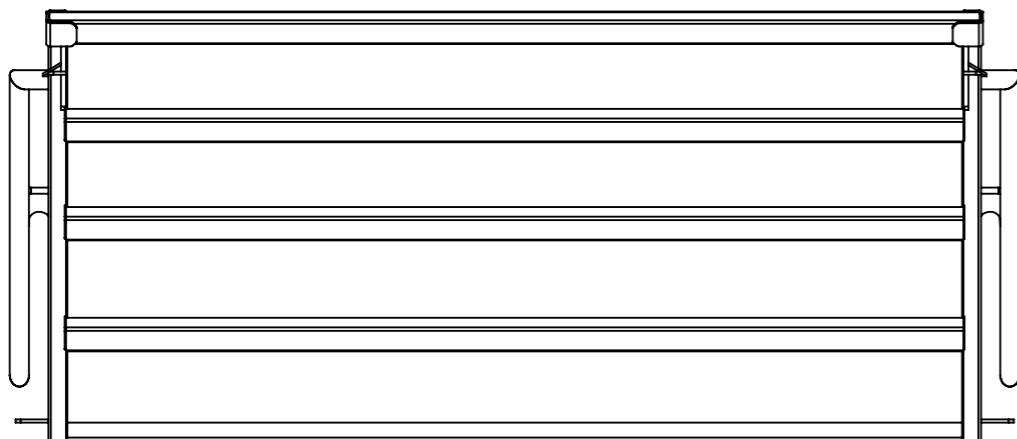
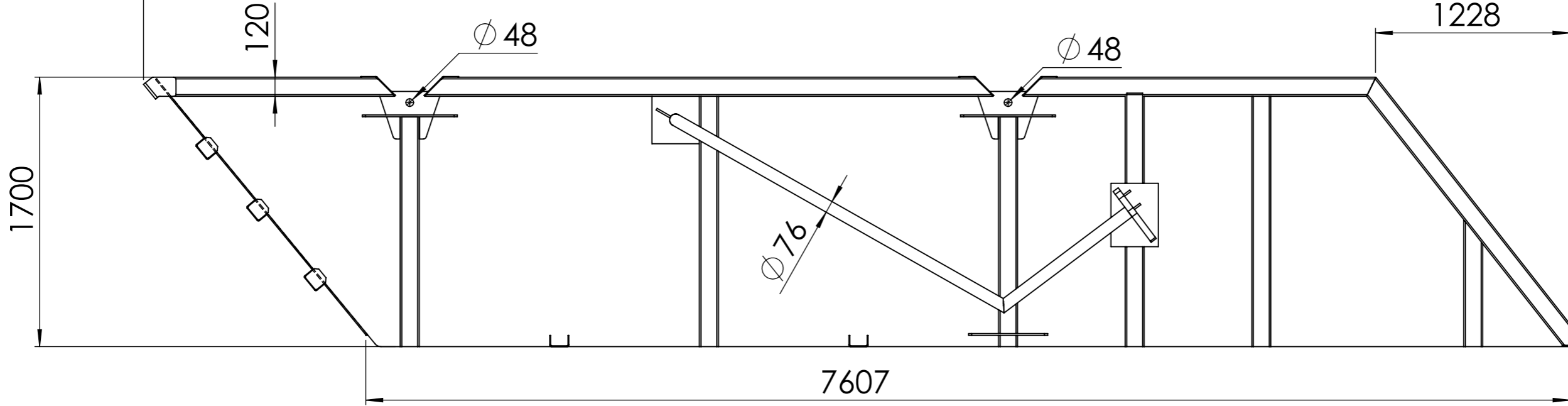
C-C

C

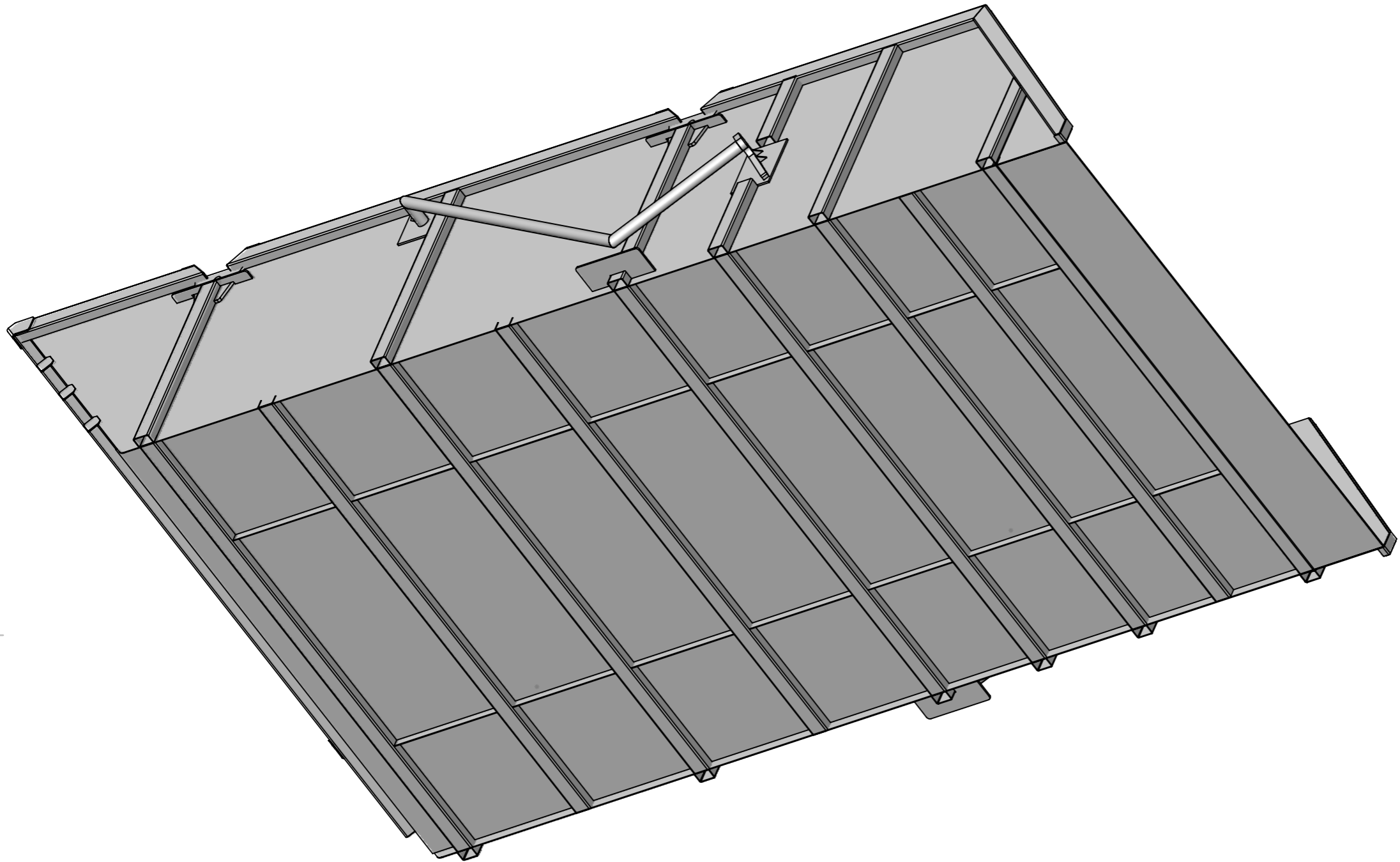
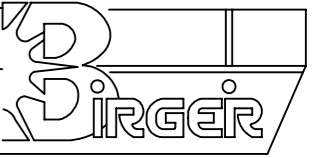
Date: 15.08.2019		Description:	Detail No:	Qty:
KJ	Juri Smorodin		Kovsh	
	Operatsioonid:	DXF:	Assembly:	
		Material:		A3
			Kovsh	
		Mass:4591.24	SCALE:1:30	Sheet 3 / 7



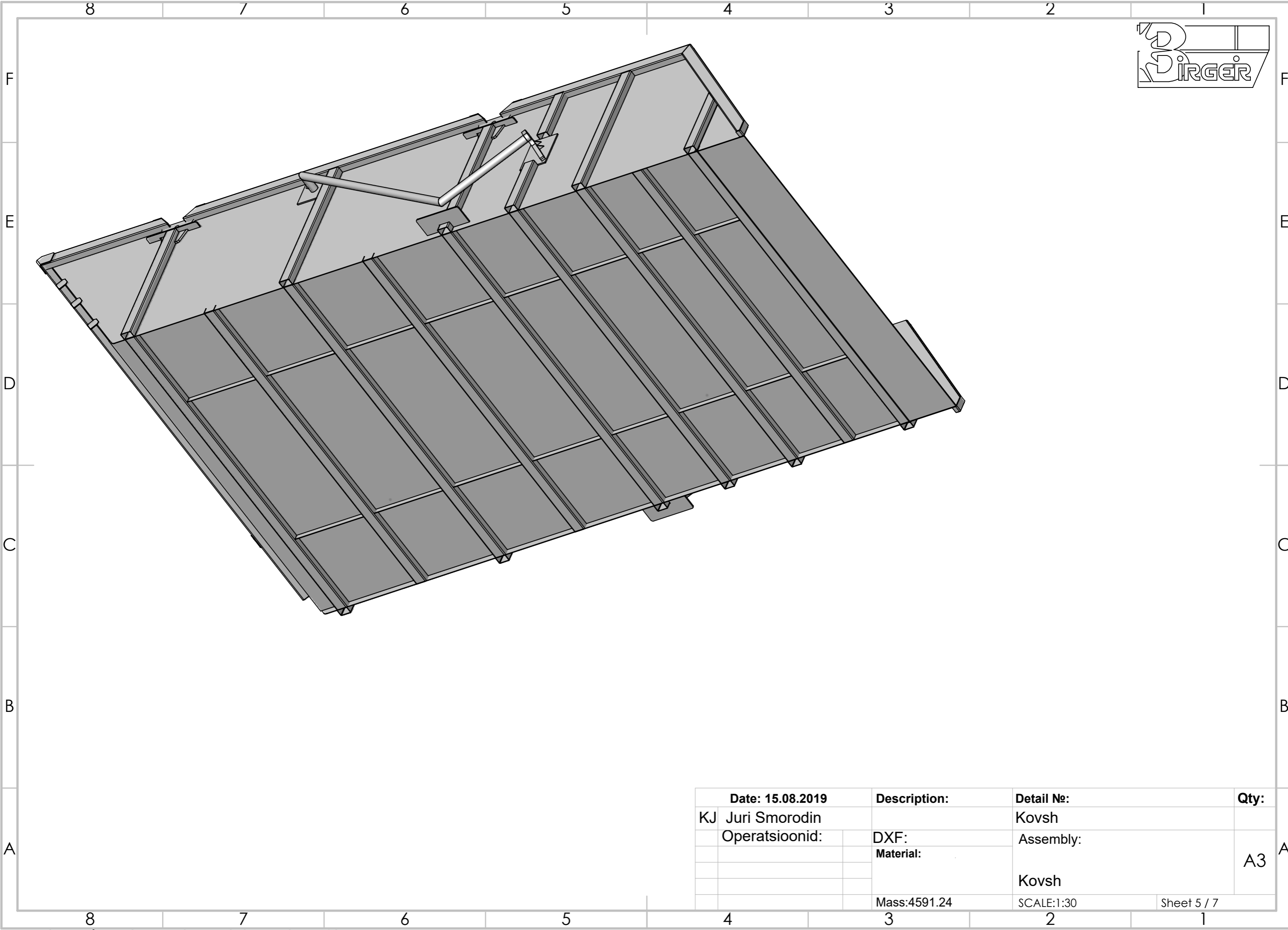
TL 9012



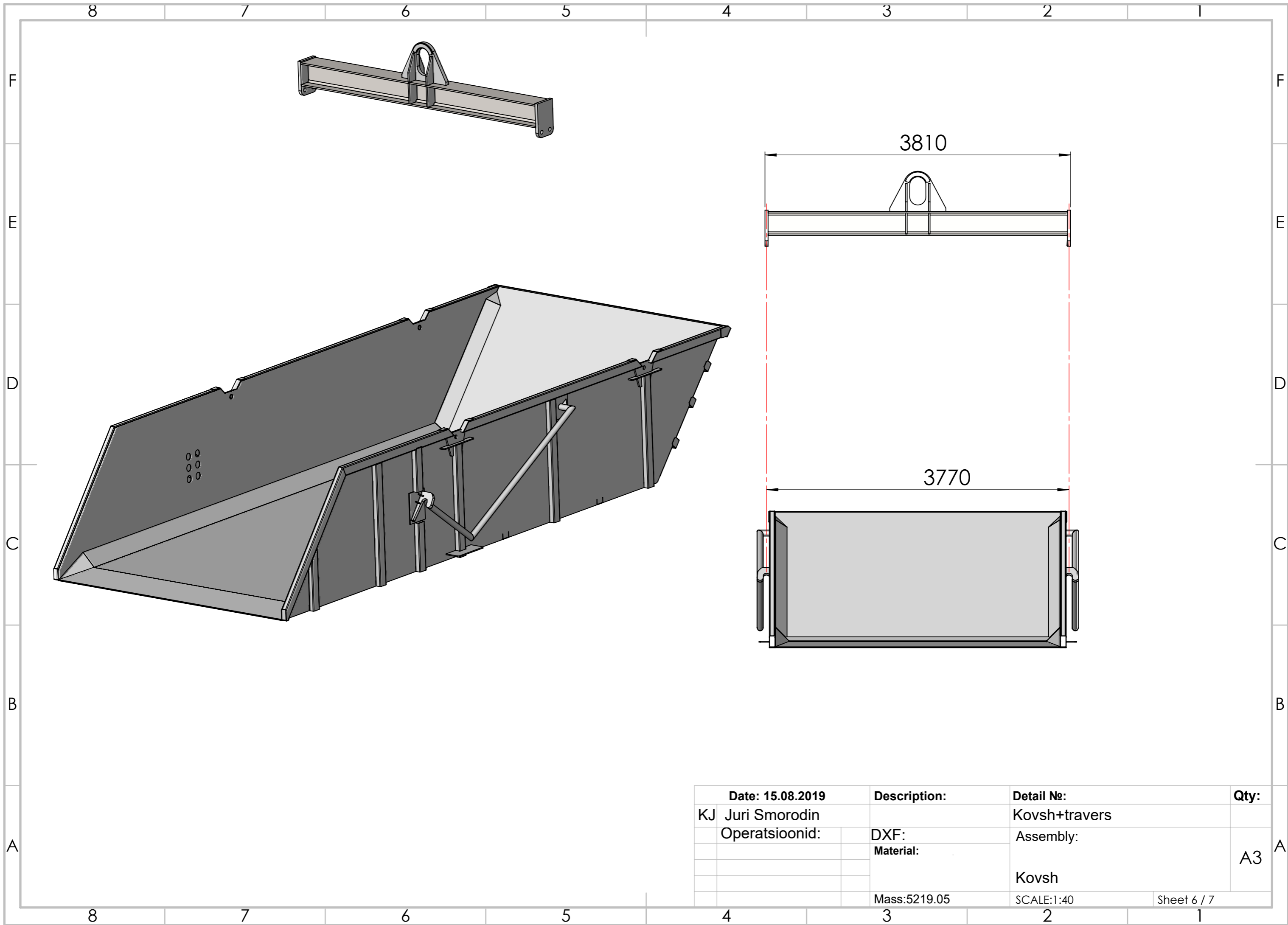
Date: 15.08.2019		Description:	Detail №:	Qty:
KJ	Juri Smorodin		Kovsh	
	Operatsioonid:	DXF:	Assembly:	
		Material:		A3
			Kovsh	
		Mass:4591.24	SCALE:1:30	Sheet 4 / 7



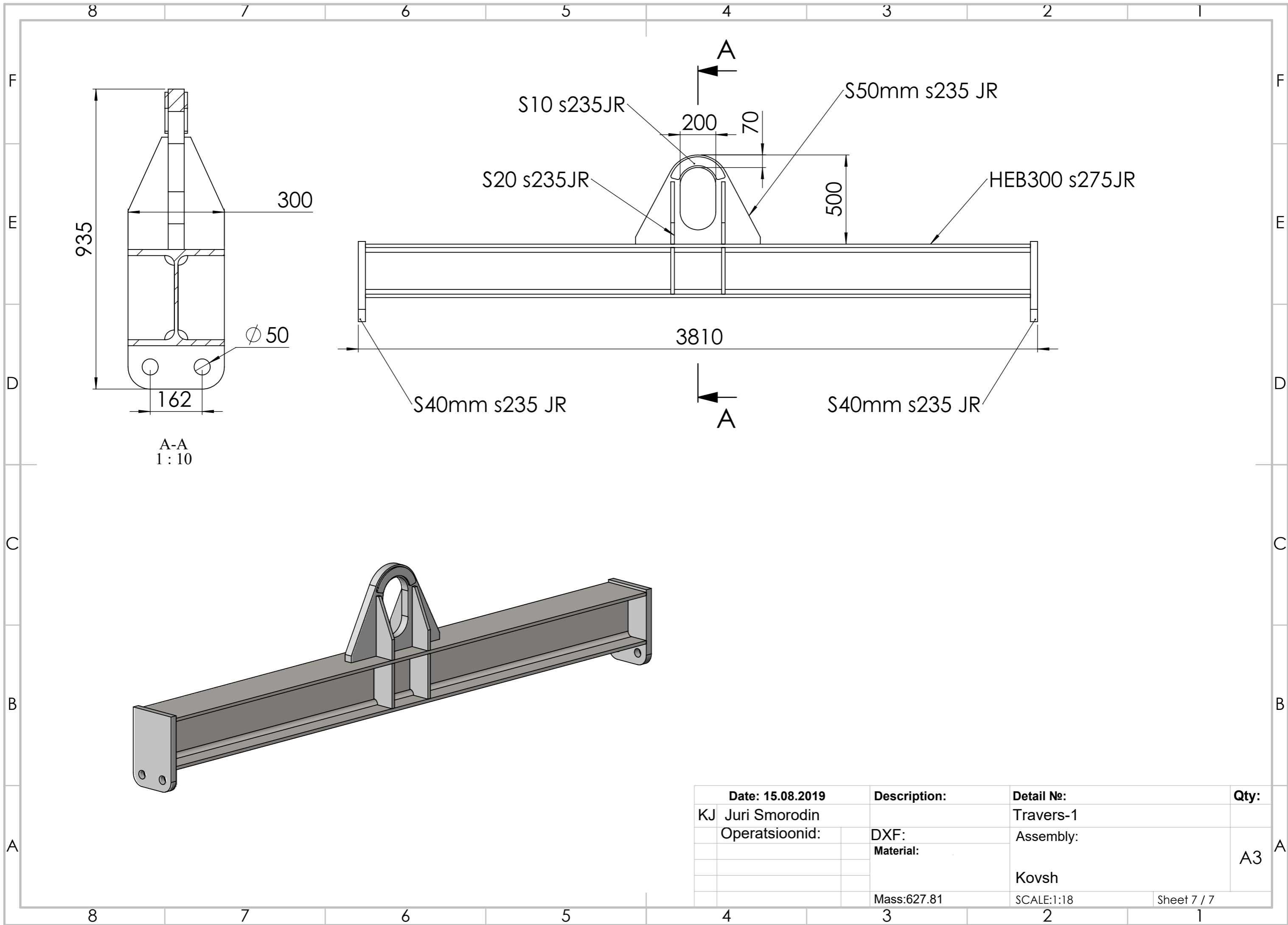
BIRGER



<b>Date: 15.08.2019</b>		<b>Description:</b>	<b>Detail №:</b>	<b>Qty:</b>
KJ	Juri Smorodin		Kovsh	
	Operatsioonid:	<b>DXF:</b>	Assembly:	
		<b>Material:</b>		A3
			Kovsh	
		Mass:4591.24	SCALE:1:30	Sheet 5 / 7



<b>Date: 15.08.2019</b>		<b>Description:</b>	<b>Detail №:</b>	<b>Qty:</b>
KJ	Juri Smorodin		Kovsh+travers	
	Operatsioonid:	<b>DXF:</b>	Assembly:	
		<b>Material:</b>		A3
			<b>Kovsh</b>	
		Mass:5219.05	SCALE:1:40	Sheet 6 / 7



A-A  
1:10

Date: 15.08.2019		Description:	Detail №:	Qty:
KJ	Juri Smorodin		Travers-1	
	Operatsioonid:	DXF:	Assembly:	
		Material:		A3
			Kovsh	
		Mass:627.81	SCALE:1:18	Sheet 7 / 7