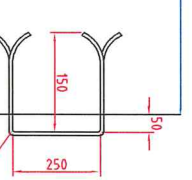
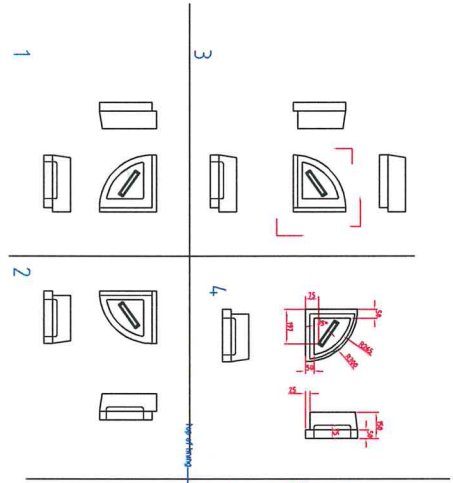
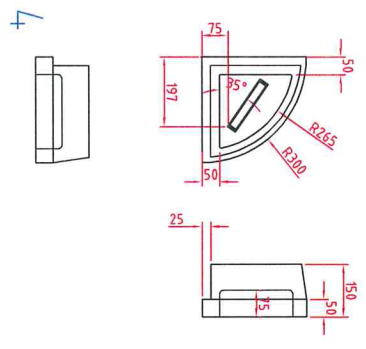
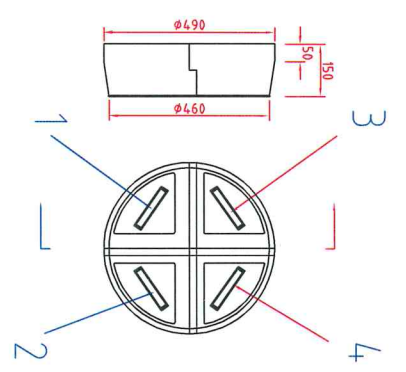


PLUG FOR MANHOLE $\phi 500$

LEVEL OF "GRIP"



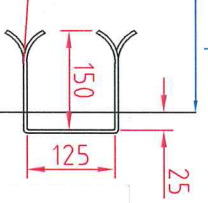
QUALITY SS2361 OR EQUAL



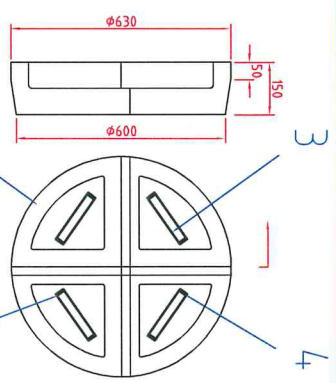
PLUG FOR MANHOLE $\phi 600$

QUALITY SS2361 OR EQUAL

LEVEL OF "GRIP"



top of lining



PLCAST HYMOR 2800