


Cover Sheet Revision List

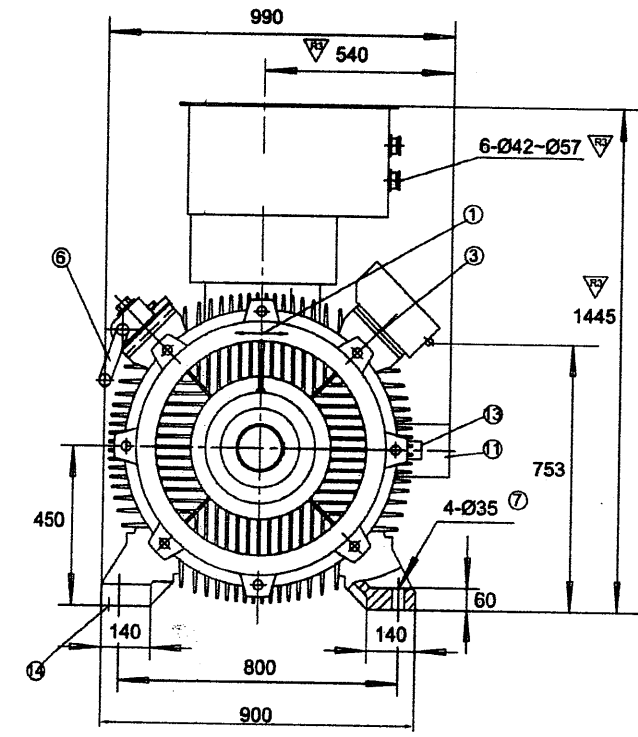
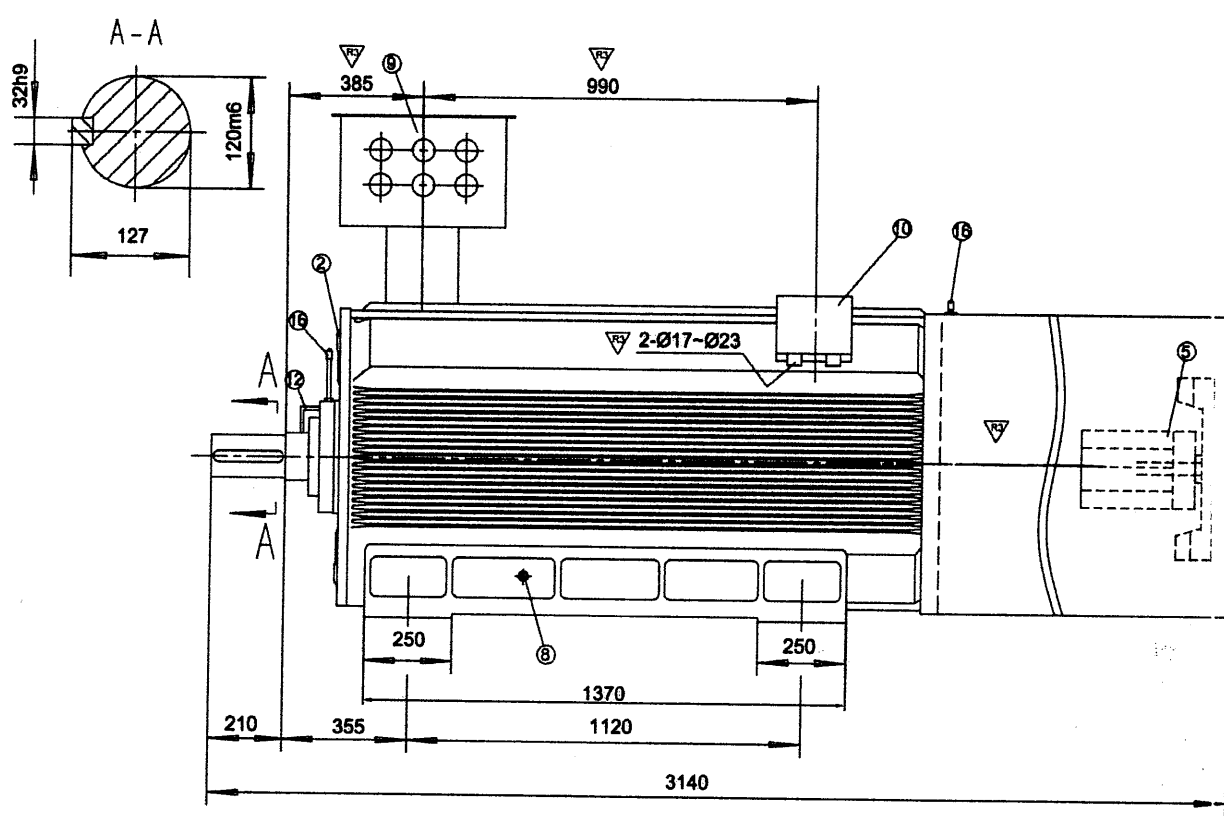
This sheet is the cover sheet for all subsequent sheets having the same document numbers. The revision index and a brief description of the revision shall be entered on the cover sheet. The last revision index shall be added to the document number on the cover sheet an equally applies to all sheets having that document number. The new revision index is shown on all sheets.

Table of Contents

Title	Document No:	Pages	Rev
Outline Drawing <i>васажумству репрене</i>	930016.101.MB-3 Sheet 1/6	1	02
Finaly Assembly <i>репрене апарата в scope</i>	YBFJ450-4 630 kW	1	
Test Certificate <i>Сертификат уснименити</i>	1020875	1	

0	Krantz	09.04.2011	Stahleisen		FI	First Issue	
Rev.	Name	Date	Name	Name	Date	Status	Kind of Revision
	Prepared/Changed		Checked	Released			
 Outotec GmbH			Plant	EOG		Copying of this document, and disclosure of it to others and the use or communication of the contents thereof, are forbidden without express written authority by Outotec GmbH. Offenders are liable to the payment of damages. All rights are reserved in the event of the grant of a patent or the registration of a utility model or design.	
			Module	CP01			
Assembly	GQ001						
Component	MA01						
DG	Eng.Serv.-No.		Eng.Serv.-Title				
Original Size	Scale		ESTI ENERGIA Recycle Gas Blower <i>Др. Оливера Мило Навратам</i> <i>репрена. улог 3.6.2011.</i>				
A 4							
DCC	Basis document		Type: YBFJ 450-4 630kW				

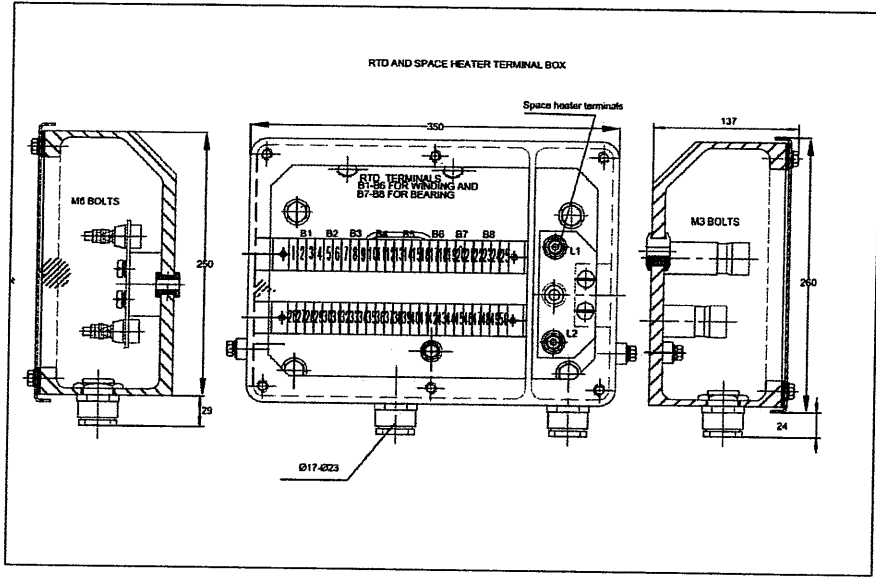
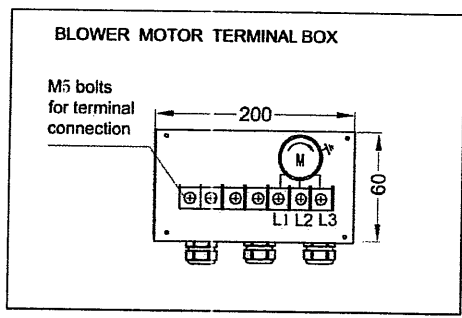
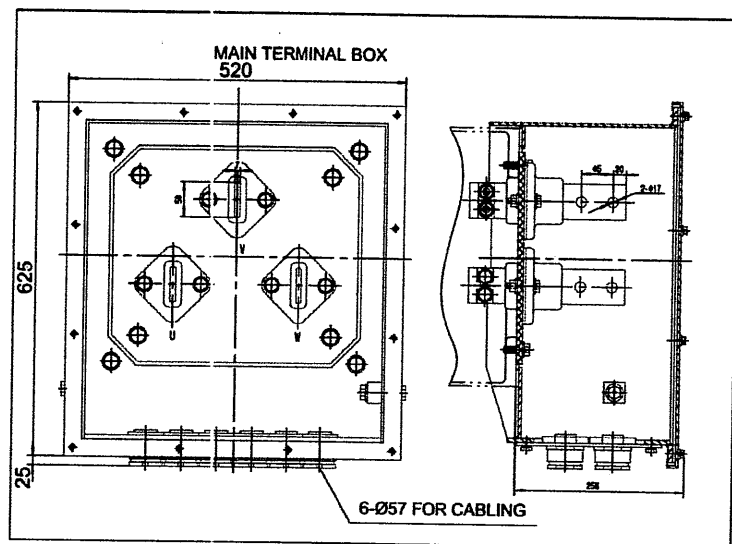
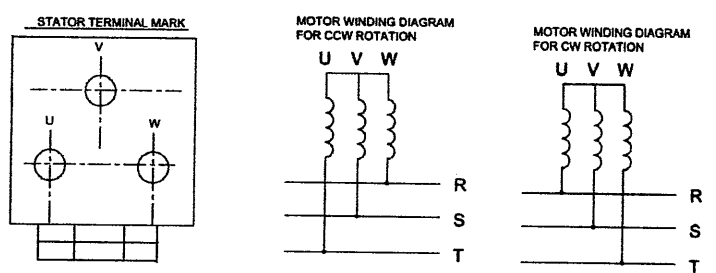
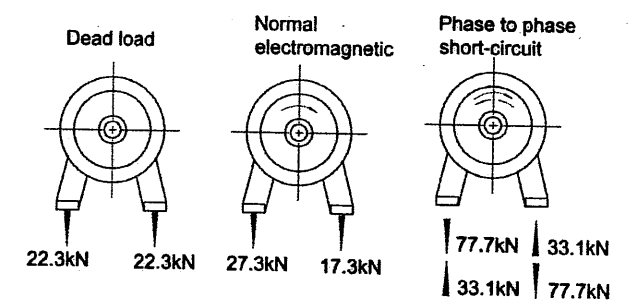
Job name:	Job No.	Document No.	Page:	Rev.
EOG NARVA	1064-I3	07037	1 of 1	0



- ① Direction of rotation
- ② Bearing RTD.(2*Pt100)
- ③ Space heater.(1ph, 50Hz,230V, 600W)
- ④ N/A
- ⑤ Motor blower (3 Ph 50 Hz, 400 V,3 kW).
- ⑥ Motor lifting lug.
- ⑦ (4-Ø35)Hole for motor fixing
- ⑧ Ground clamp.(2-M12)
- ⑨ Main terminal box.
- ⑩ RTD's and space heater terminal box.
- ⑪ Motor blowers terminal box.
- ⑫ Grounding brush
- ⑬ terminal box for Encoder (supplied by others).
- ⑭ Vertical jacking screws 2-M24
- ⑮ adding grease inlet

Remark : This motor use SKF roller bearing and the lubricant of motor bearing is grease and insulated for non-divien end.

▽ Loads on foundation on each side of rest



VARIABLE FREQUENCY MOTOR CHARACTERISTIC DATA (SINGLE WINDING)		
Type: YBFJ450-4	Base speed: 1491rpm	Speed range:0-1500RPM
Construction form:TEFC	EFF.: 95.2% ▽	PF: 0.897 ▽
Degree of protection: IP54	Max. torque/Rated torque at base speed :2.0	
Cooling system: IC416	overload : 150% for 5 minute per 1 hour	
Power:630KW	INERTIA OF ROTOR J=33KGM2 ▽	INSULATION/OVER-TEMP. CLASS: F/B
Voltage:660V	ROTATION: Bi-directional	CONNECTION: ▽
Current:645A ▽	STANDARD: IEC60034-9	Colour: RAL 9007 Finish coat for martime climate conditions
Frequency: 50HZ	Rotor mass: 1500kg	Stator mass: 2700kg ▽ Motor mass: 4550kg
LUBRICATION OIL		Other accessory part
Bearing type:SKF ROLLER		Fan for cooler: 1sets 3kW 400v 50Hz 6A ▽
DE Bearing: SKF NU226ECJ/C3		Space heater 600W 230V 50hz 2.5A ▽
NDE Bearing: SKF insulation 6226/C3VL0241		Temp. indicaror : Pt100
Lubricantion: 3# Li grease		2 pcs for bearings 6 pcs for winding
		Encoder: N/A ▽
		half coupling: from buyer

COPYRIGHT RESERVED ACC. DIN ISO 16016

/last part of folder structure/
type / title

No.	Revision	Date	Name	Stand.	Orig.	Subst.
02	as build	02.03.2011	GKr	Check.	H. Stahleisen	

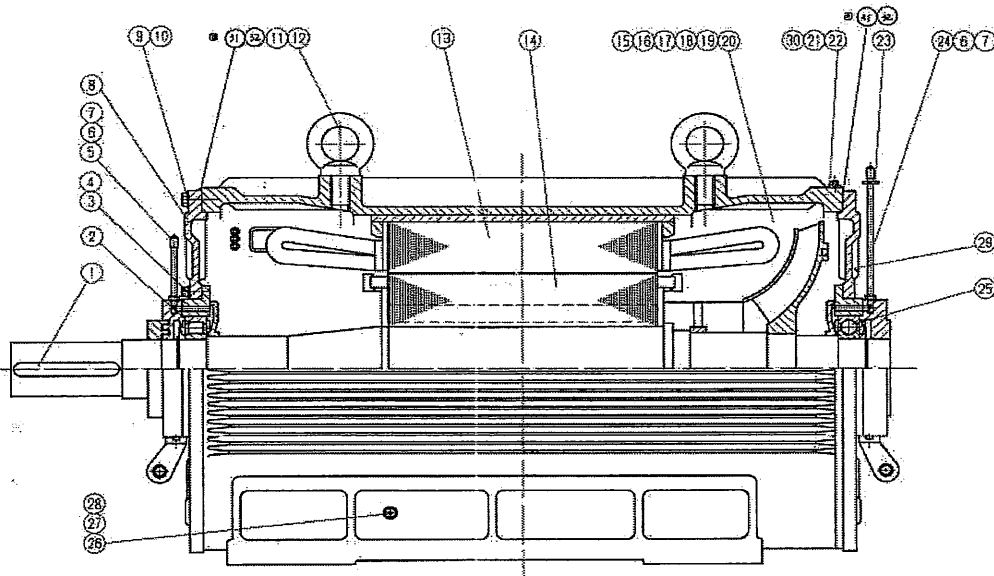
Outotec
CONVERTEAM
THE POWER CONVERSION COMPANY

EOG Narva CP01-GQ001 MA01

Recycle Gas Blower 630 kW

930016.101.MB-3.02

Sheet 1/6



No.	Description	Measures	Number of items
1	Key		1
2	Bearing		1
3	---		---
4	---		---
5	Grease tube		1
6	Grease nipple	M10x1	2
7	Connector		2
8	End bracket		1
9	Zn Screw	M16X50	16
10	Spring washer	16,3 x 1,75	16
11	Eye bolt	DJDH(4-6)T-00	2
12	Zn Coted bolt	M24x40	2
13	Stator		1
14	Rotor		1
15	Space heater		1
16	Name plate data		1
17	Name plate Assembly		1
18	(auxilliary)Outlet box		1
19	Wiring diagram		1
20	Bearing monitoring device		1
21	Zn Coted bolt	M10x45	4
22	Zn Washer	M10	4
23	Baffle		1
24	Tube		1
25	Bearing		1
26	Zn Grounding bolt	M12x25	2
27	Zn Washer	M12	4
28	Zn Spring washer	M12	2
29	End bracket		1
30	Rubber Sleeve		1

CONVERTEAM

THE POWER CONVERSION COMPANY

SHANGHAI ELECTRIC

MACHINERY CO., LTD.

ASYNCHRONOUS MOTOR TEST CERTIFICATE

Serial No.

1020875

1
Sheet1
TotalType YBFJ450-4 Power 630 kW Frequency 50 Hz 1491 r/minStator voltage 660 V Stator current 645 A Stator connection ΔRotor voltage -- V Rotor current -- A or connection --(1) Insulation resistance Stator winding to ground 500 MΩRotor winding to ground -- MΩ

(2) Ohmic resistance

95 °CStator winding 0.01492 Ω/phaseRotor winding -- Ω/phase

(3) No-load current at rated voltage

191.7 A

(4) No-load input at rated voltage

11880 W

(5) Locked-rotor current

at 97.7 V660.0 A

(6) Locked-rotor input

at 97.7 V18480 W

(7) Voltage ratio(stator/rotor)

--

(8) High voltage test

Stator winding to ground 4400 V, for 1 minStator winding phase to phase -- V, for -- minRotor winding to ground -- V, for -- minRefer to technic-condition IEC60034-1Date of test 2010-10-23

Approved by

Reviewed by

张林生

Testing by

周琴