


# Cover Sheet

## Revision List

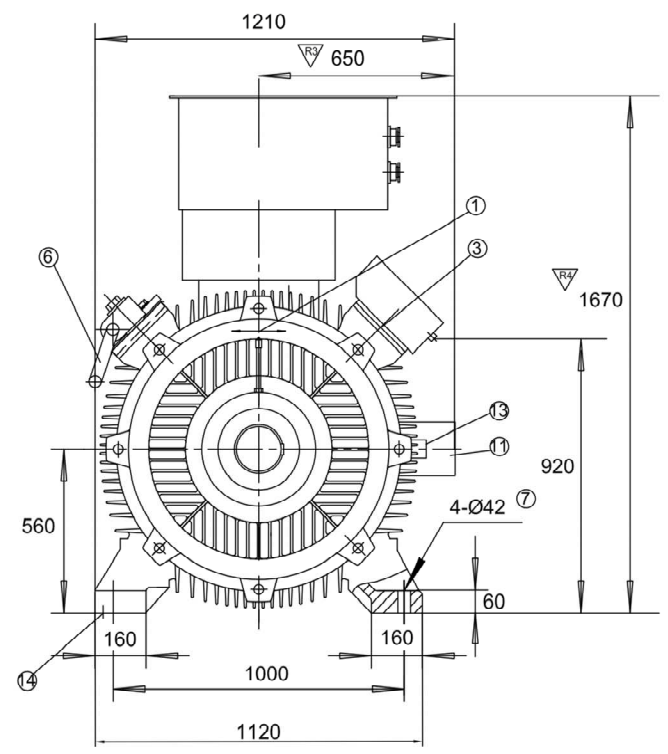
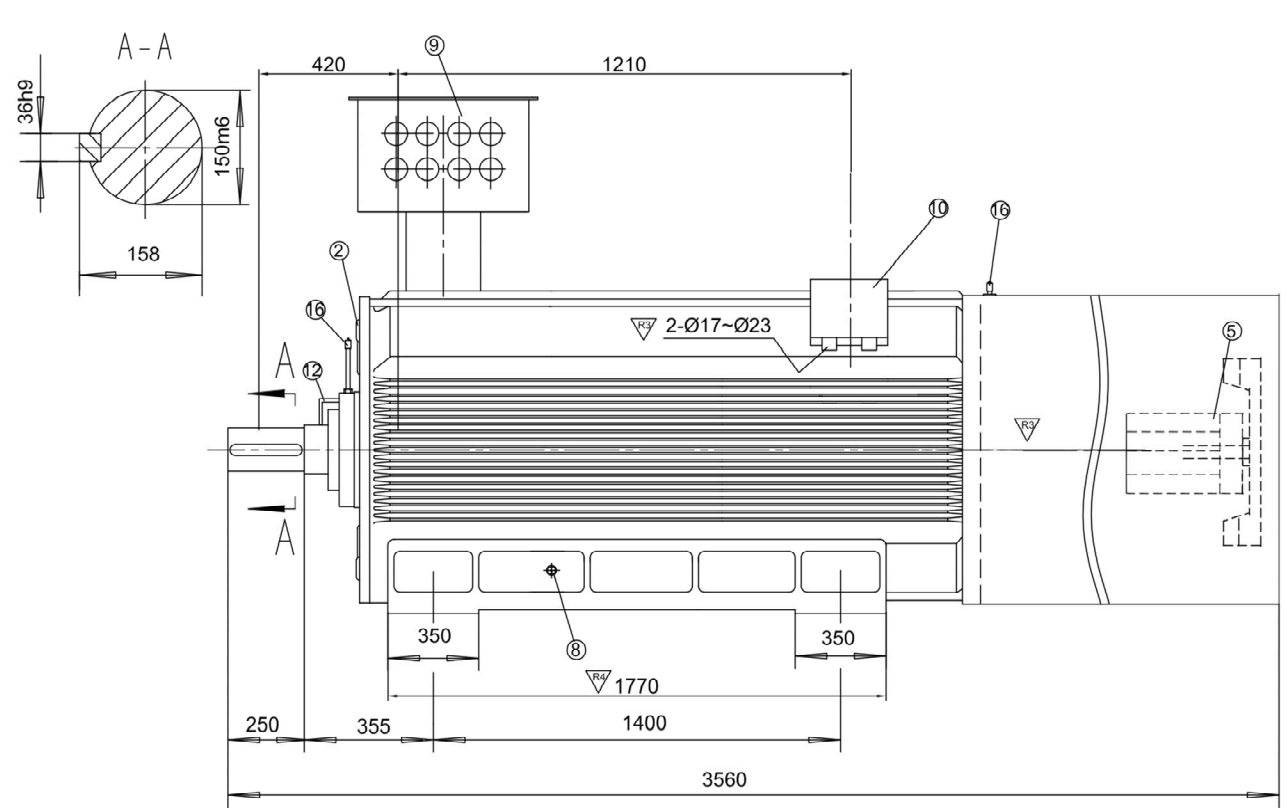
This sheet is the cover sheet for all subsequent sheets having the same document numbers. The revision index and a brief description of the revision shall be entered on the cover sheet. The last revision index shall be added to the document number on the cover sheet and equally applies to all sheets having that document number. The new revision index is shown on all sheets.

### Table of Contents

Title	Document No:	Pages	Rev
Outline Drawing	930016.101.MB-3	1	02
Finaly Assembly	Sheet 3/6 YBFJ560-4 1500 kW	1	

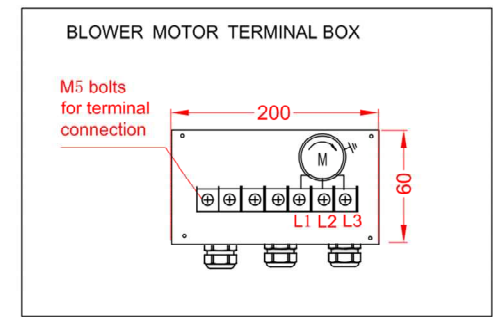
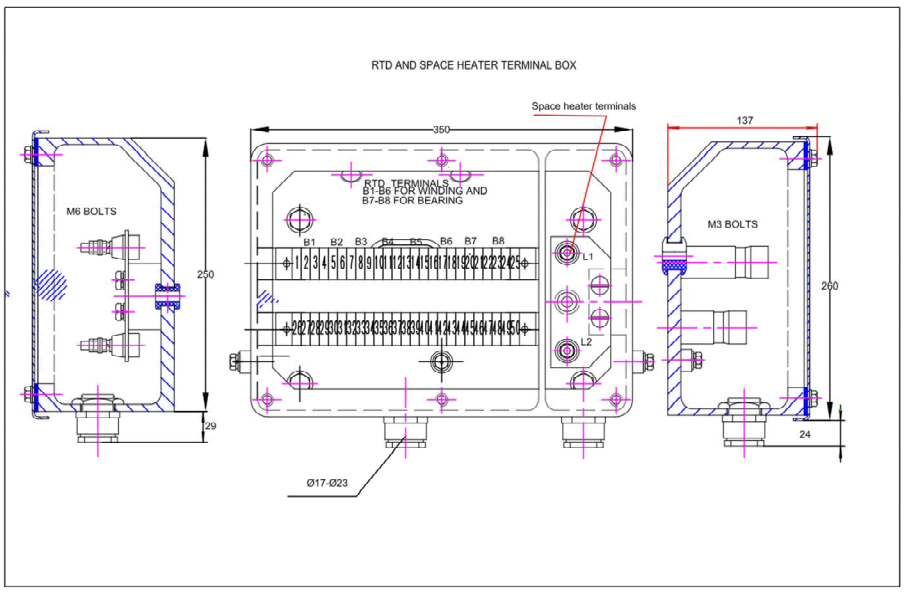
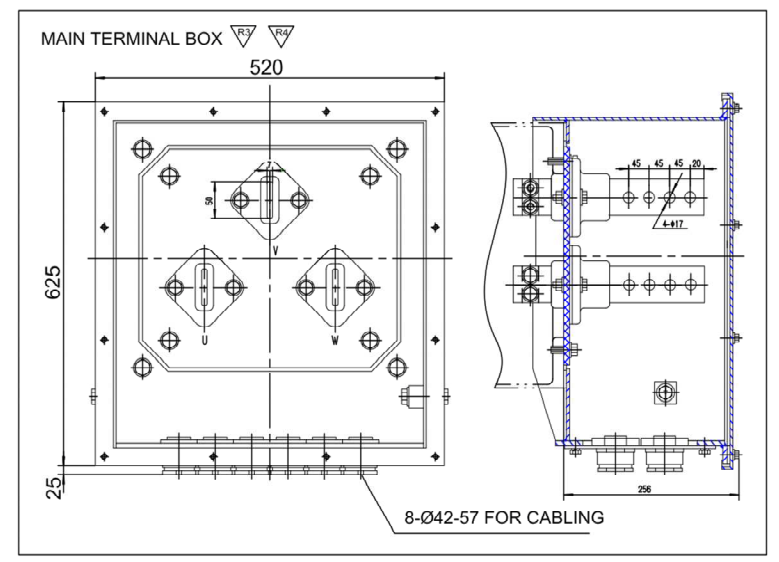
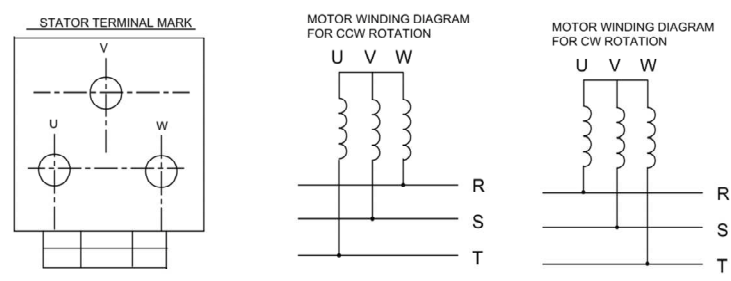
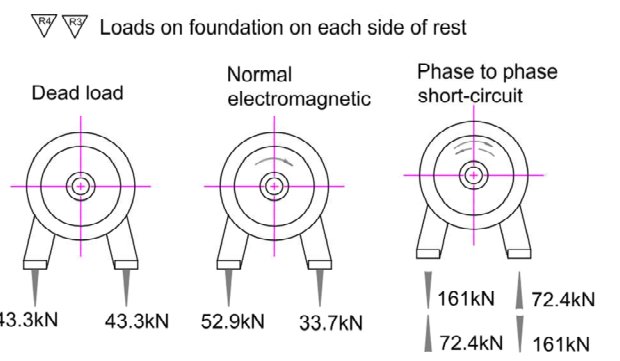
Rev.	Name	Date	Name	Name	Date	Status	Kind of Revision
	Prepared/Changed		Checked	Released			
0	Krantz	09.04.2011	Stahleisen			FI	First Issue
 <b>Outotec GmbH</b>				Plant	EOG	Copying of this document, and disclosure of it to others and the use or communication of the contents thereof, are forbidden without express written authority by Outotec GmbH. Offenders are liable to the payment of damages. All rights are reserved in the event of the grant of a patent or the registration of a utility model or design.	
				Module	JL01		
Assembly	GQ001						
			Component	MA01			
			DG	Eng.Serv.-No.			Eng.Serv.-Title
Original Size	Scale		<b>ESTI ENERGIA</b> <b>Primary Air Blower</b>  <b>Type: YBFJ 560-4 1500 kW</b>				
<b>A 4</b>							
DCC	Basis document						

Job name:	Job No.	Document No.	Page:	Rev.
<b>EOG NARVA</b>	<b>1064-I3</b>	<b>07005</b>	1 of 1	<b>0</b>
EDP-Ident-No.: S:\1064\1064-I3\10_SupplierDocuments\02_Elec_Inst\690V drives Convertteam\End Doku\02_JL01-GQ001 Primary Air Blower\Chapter_5_Motor MA01\files for PDF\00_1064-I3_07005_R0_Motor Docu.doc, Printed: 02.11.2011				



- ① Direction of rotation
- ② Bearing RTD.(2\*Pt100)
- ③ Space heater.(1ph, 50Hz,230V, 800W)
- ④ N/A
- ⑤ Motor blower (3 Ph 50 Hz, 400 V,7.5 kW).
- ⑥ Motor lifting lug.
- ⑦ (4-Ø12)Hole for motor fixing
- ⑧ Ground clamp.(2-M12)
- ⑨ Main terminal box.
- ⑩ RTD's and space heater terminal box.
- ⑪ Motor blowers terminal box.
- ⑫ Grounding brush
- ⑬ terminal box for Encoder (supplied by others).
- ⑭ Vertical jacking screws 2-M24
- ⑮ adding grease inlet

Remark : This motor use SKF roller bearing and the lubricant of motor bearing is grease and insulated for non-divien end.



VARIABLE FREQUENCY MOTOR CHARACTERISTIC DATA (SINGLE WINDING)		
Type: YBFJ560-4	Base speed: 1495rpm	Speed range:0-1500RPM
Construction form:TEFC	EFF.: 96.4% ▽	PF: 0.879 ▽
Degree of protection: IP54	Max. torque/Rated torque at base speed :2.0	
Cooling system: IC416	overload : 150% for 5 minute per 1 hour	
Power:1500KW	INERTIA OF ROTOR J=105KGM2	INSULATION/OVER-TEMP. CLASS: F/B
Voltage: 660V	ROTATION: Bi-directional	CONNECTION: ▽
Current:1549A ▽	STANDARD: IEC60034-9	Colour: RAL 9007 Finish coat for maritime climate conditions
Frequency: 50HZ	Rotor mass: 3200kg	Stator mass: 4700kg ▽ Motor mass:8840kg
	LUBRICATION OIL	Other accessory part
	Bearing type: SKF roller	Fan for cooler: 1sets 7.5kw 400V 50hz 15A ▽
	DE Bearing:NU232/C3	Space heater 800W 230V 50hz 3.4A ▽
	NDE Bearing: 6230/C3VL2071	Temp. indicaror : Pt100
	Lubricantion: 3# Li grease	2 pcs for bearings <b>6 pcs for winding</b>
		Encoder: N/A ▽
		Brake:N/A

COPYRIGHT RESERVED ACC. DIN ISO 16016

/ last part of folder structure/  
type / title

Date	20.04.2010
Comm.	G. Krantz
02 as build	02.03.2011
GKr	Check.
H. Stahleisen	
No.	Revision
Date	Name
Stand.	Stand.
Orig.	Subst.

**Outotec**

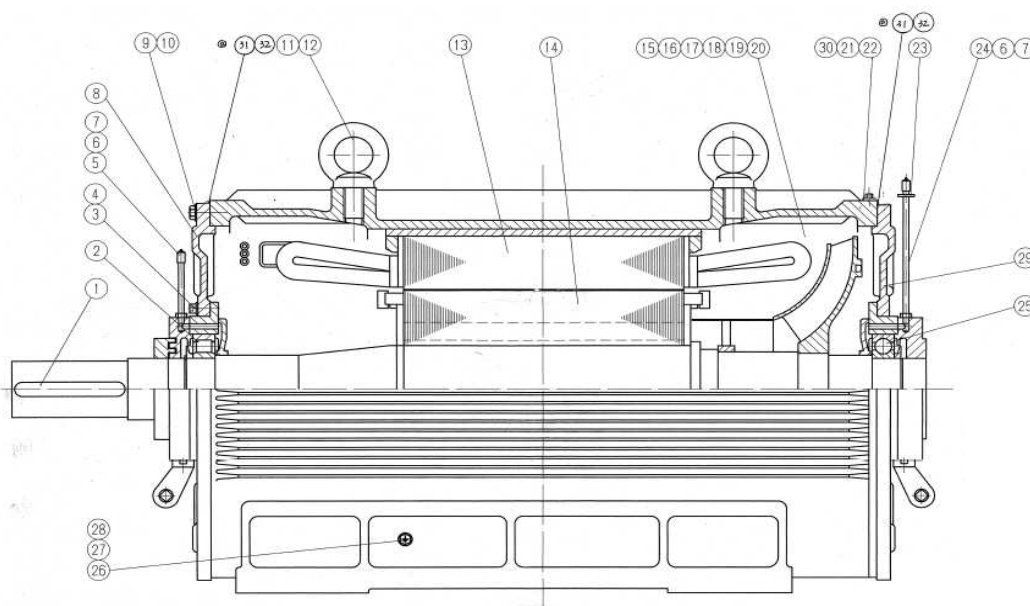
**CONVERTEAM**  
THE POWER CONVERSION COMPANY

EOG Narva  
JL01-GQ001 MA01

Primary Air Blower 1500kW

930016.101.MB-3.02

Sheet 3/6



No.	Description	Measures	Number of items
1	Key		1
2	Bearing		1
3	---		---
4	---		---
5	Grease tube		1
6	Grease nipple	M10x1	2
7	Connector		2
8	End bracket		1
9	Zn Screw	M20X50	16
10	Spring washer	20,4 x 2,2	16
11	Eye bolt	DJDH(6-10)T	2
12	Zn Coted bolt	M36x70	2
13	Stator		1
14	Rotor		1
15	Space heater		1
16	Name plate data		1
17	Name plate Assembly		1
18	(auxilliary)Outlet box		1
19	Wiring diagram		1
20	Bearing monitoring device		1
21	Zn Coted bolt	M12x45	4
22	Spring Washer	M12x1,5	4
23	Baffle		1
24	Tube		1
25	Bearing		1
26	Zn Grounding bolt	M12x25	2
27	Zn Washer	M12	4
28	Zn Spring washer	M12	2
29	End bracket		1
30	Rubber Sleeve		1