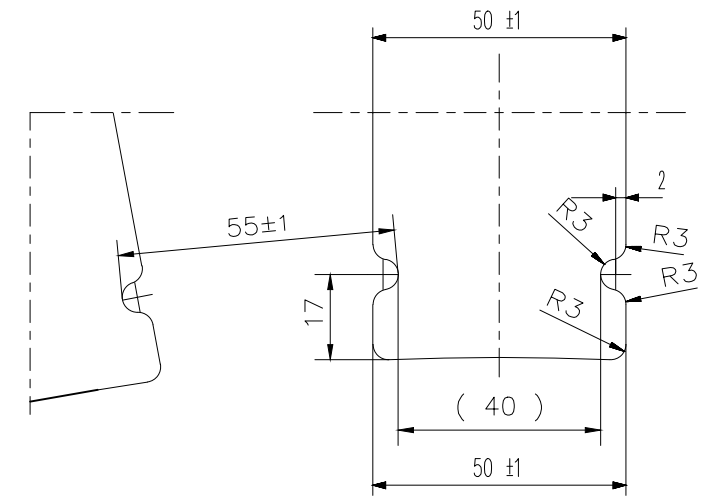
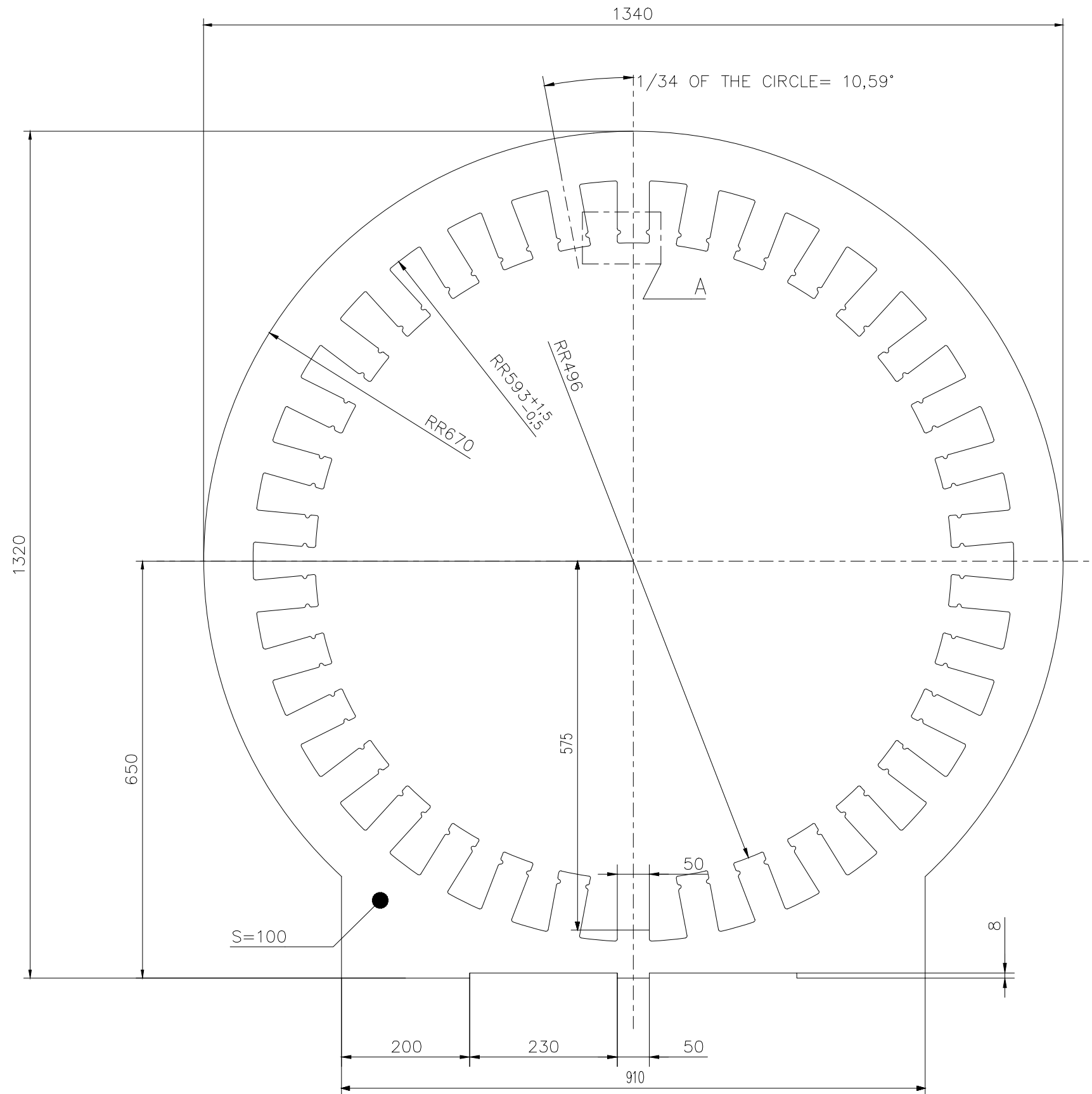


Item No.	Item code ABB identity	Name of item	Dimensions Material	Standard etc. Standard etc.	Net weight	Quantity
G	1 3AFP10027004 ADAE 100	STEEL PLATE TERÄSLEVY	100x1320x1340 S235JR + N	EN 10029 EN 10025-2	387	1



DETAIL A (1:1)

- VALMISTUSVAATIMUKSET:
 - LEIKATTU PINTA ISO 9013-442
- MANUFACTURING REQUIREMENTS:
 - THERMAL CUT ISO 9013-442

Created
 Reviewed 1999-09-24
 1999-09-24
 Distribution PO

GFK 140_P17
 DMNG/PG
 Based on
 Work number SC

Type designation

Scale 1:5
 Language EN-FI
 Mounting A2
 Sheet

G	Parts material changed.	2017-06-02	SABR	ARSZ	ARSZ
Rev	Revision text	Date	Created	Reviewed	Approved

Motors and Generators

3AFP5117019-D G