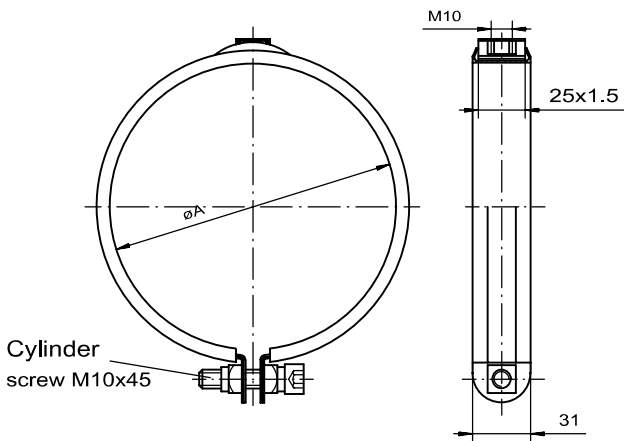
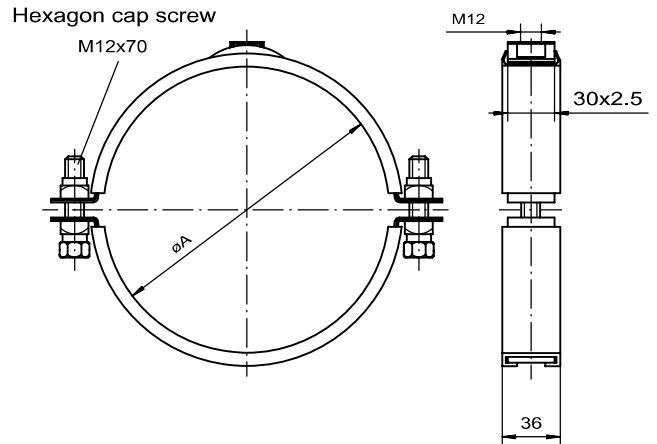


Pipe-clamp with rubber-insert



Pipe-clamp with rubber-insert



Rubber damp 3mm thick, approx. 70 Shore, temperature resistance max. 80 degree Celsius.

Article-number for galvanized type

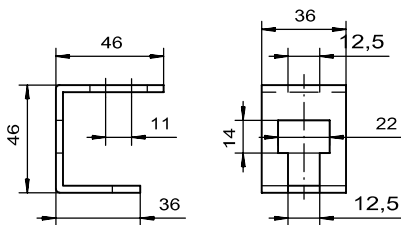
Pipeø	80	100	120	140	150	Rohrø	350	400	450	500	560	630
Order-no.	10082770	10102770	10122770	10142770	10152770	Bestell-Nr.	10352770	10402770	10452770	10502770	10562770	10632770
A	80	102	123	139	153	A	353	402	452	502	562	632
Max. load in kg						Max. Traglast in kg						
weight in kg	0.25	0.25	0.30		0.35	Gewicht in kg	1.30	1.50	1.60	1.75		

Pipeø	175	200	224	250	300	Thread profile metric	
Order-no.	10172770	10202770	10222770	10252770	10302770	M10 Order-no.	10082772
A	178	203	223	253	303	M12 Order-no.	10102772
Max. load in kg							
weight in kg	0.40	0.40	0.40	0.50	0.55		

Safety advice DIN 34

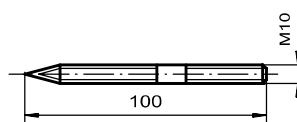
Fixing clip

Order-no. 10082771



Screw metric

Order-no. 10082773



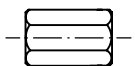
Hexagon nut metric

M10 Order-no. 10082774
M12 Order-no. 10102774

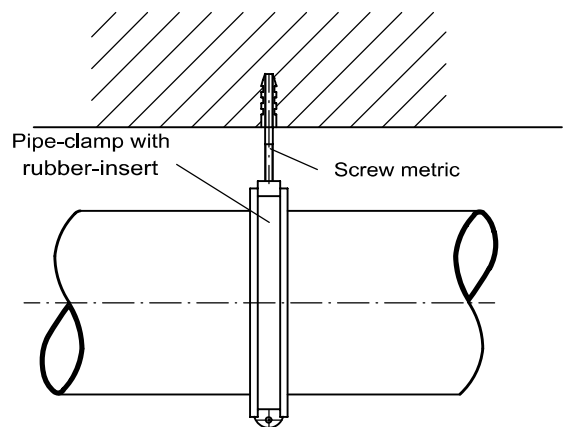
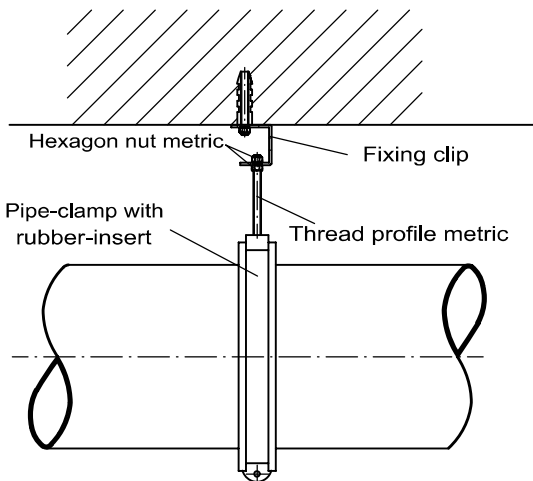


Twin-nut

M10 Order-no. 10082775
M12 Order-no. 10102775



Mounting example

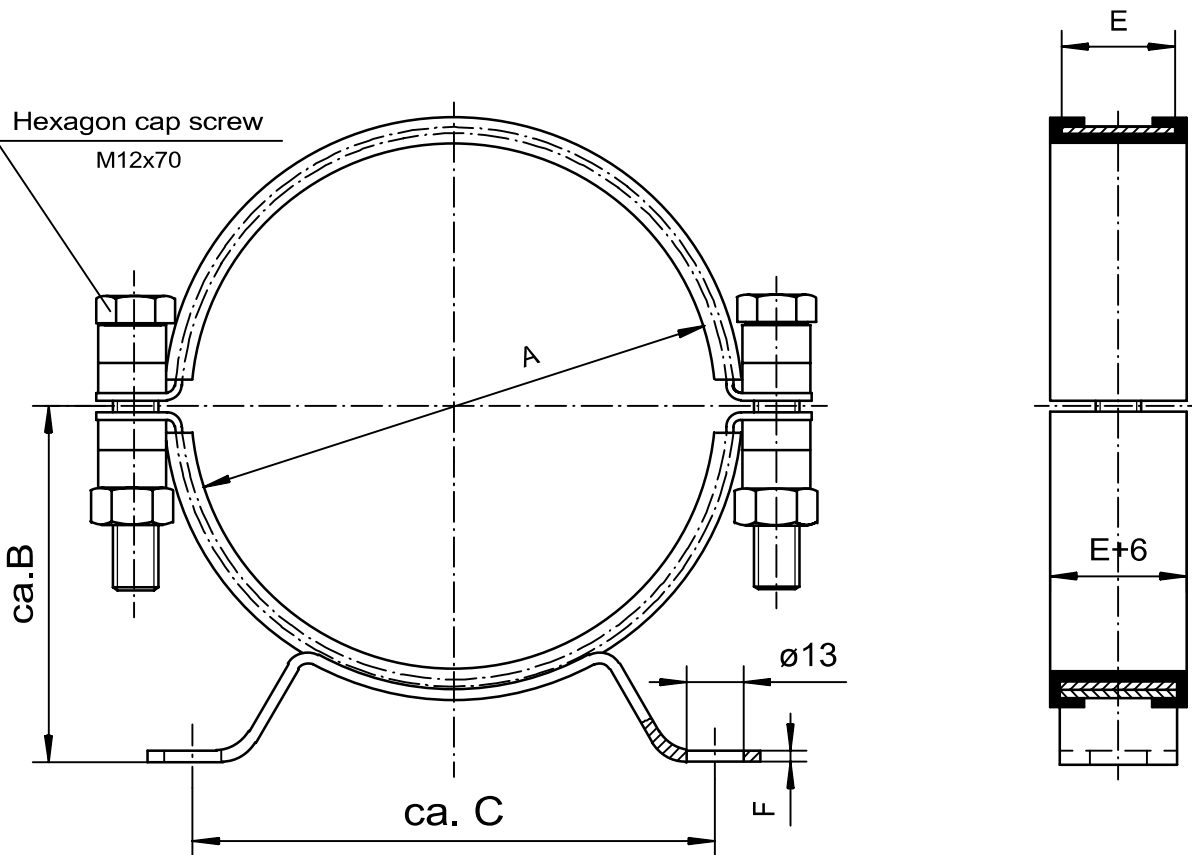


Denomination

**Pipe-clamp with rubber-insert
(for ceiling-mounting)**

Date 15.12.1999

Drawing-No.	Index
11/240	2



Safety advice DIN 34-1

Pipe-clamps not suitable for longitudinal forces.

When using stainless steel 1.4301, please consider amended dimensions of clamp and basis.

Rubber damp 3mm thick, approx. 70 Shore, temperature resistance max. 80 degreeCelsius.
Order-no. for galvanized type

Pipe ø	80	100	120	140	150	175	200	224
Order-no.	10082780	10102780	10122780	10142780	10152780	10172780	10202780	10222780
A	80	102	123	139	153	178	203	223
B	64	75	86	94	101	113	126	136
C	138	138	138	138	148	148	148	148
E	30x2.5	30x2.5	30x2.5	30x2.5	30x2.5	30x2.5	30x2.5	30x2.5
F	3	3	3	3	3	3	3	3
weight in kg	0.70	0.80	0.85	0.85	0.95	1.00	1.05	1.10
Pipe ø	250	300	350	400	450	500	560	630
Order-no.	10252780	10302780	10352780	10402780	10452780	10502780	10562780	10632780
A	253	303	353	403	453	503	563	633
B	151	176	204	228	254	279	309	344
C	230	230	260	260	300	300	350	350
E	30x2.5	30x2.5	30x4	30x4	40x4	40x4	40x4	40x4
F	3	3	4	4	5	5	5	5
weight in kg	1.25	1.40	1.95	2.10	2.95	3.33	3.65	4.00

Denomination

Pipe-clamp with rubber-insert
for wall-mounting

Date

10/97

Drawing-No.

11/245

Index

4